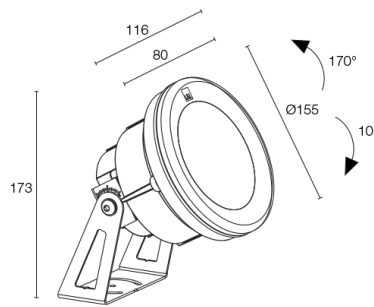
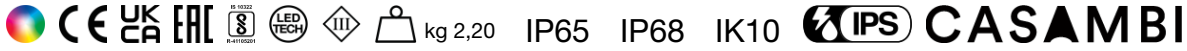


Made in Italy



Moby P 2.1, code: MP21007LV
Projectors for underwater applications

26/09/2024 Rev. 39



DESCRIPTION

projector for underwater applications (not suitable for use in seawater, only suitable for underwater applications); surface mounted (wall, floor), max depth 10 m; Power consumption: 25W; Power supply: 24Vdc; Lumen output at source: RGBW: 1694 lm, R: 104 lm G: 676 lm B: 224 lm W 690 lm (4000K); Delivered lumen output: RGBW: 1203 lm, R: 74 lm G: 480 lm B: 159 lm W 490 lm (4000K); 3 RGBW power LED groups, 50 000h L90 B10 (Ta 25°C); LED colour: RGBW; Optics: 59°: optical system consisting of a high-efficiency, deep-set TIR lens combined with a high-quality technical filter; Body material: body made of heat-dissipating technopolymer with a thermal conductivity equal to that of stainless steel. Bracket in AISI 316L stainless steel, tumble finished and painted; Screen material: glass cover in 12-mm-thick, tempered extra-clear glass with vitrified serigraphy suitable for installations in seawater and guaranteeing resistance to corrosion and to knocks and scratches. Mixing chamber to ensure the light's chromatic uniformity.; power supply unit not included; includes 5 m FEP+RUB cable (equivalent to H05RN-F cable), 6x0,50 Ø6.3 mm; Ingress protection: IP65, IP68; Impact resistance: IK10; Casambi control using the Casambi app with dedicated electronics; Protection systems: IPS (Intelligent Protection System) protects lighting fixtures from water infiltrations, which can occur if there are faulty junctions between the cables in outdoor or underwater applications. This innovation, patented by L&L, also guarantees electrical protection against polarity reversal, hot plugging, ESD and power surges, which can occur if there are faults in the electrical circuit; Operating temperature: 0°C — +45°C (installation underwater); Glow wire test: 960°; Photobiological safety: photobiological safety: risk group 1 according to EN 62471:2006; Appliance class: class III; Weight: 2200 g; Dimensions: Ø155x173 mm; Energy efficiency class: F (light source) in accordance with EU 2019/2015; Accessories: WH0402 Honeycomb louvre ; tested and approved via E.O.L. (End Of Line) test with functioning test and check of electrical power consumption

Status: Available

ELECTRICAL CHARACTERISTICS

Power consumption	25W
Power supply	24Vdc
Power supply unit	power supply unit not included

LIGHTING CHARACTERISTICS

Number and type of LED	3 RGBW power LED groups
Average LED life	50 000h L90 B10 (Ta 25°C)
LED colour	RGBW
Optics	59°
Lumen output at source	RGBW: 1694 lm, R: 104 lm G: 676 lm B: 224 lm W 690 lm (4000K)
Delivered lumen output	RGBW: 1203 lm, R: 74 lm G: 480 lm B: 159 lm W 490 lm (4000K)

MECHANICAL CHARACTERISTICS

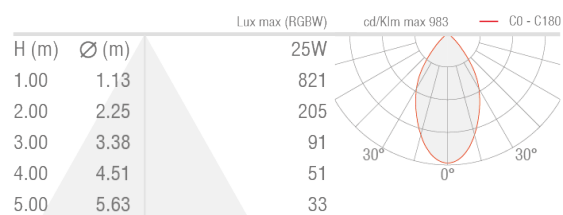
Dimensions	Ø155x173 mm
Weight	2200 g
Mounting	with screws and plugs
Body material	body in thermally conductive technopolymer, bracket in AISI 316L stainless steel
Screen material	glass cover with vitrified serigraphy

GENERAL CHARACTERISTICS

Ingress protection	IP65, IP68
Operating temperature	0°C — +45°C (installation underwater)
Impact resistance	IK10
Energy efficiency class	F (light source) in accordance with EU 2019/2015
Glow wire test	960°
Appliance class	class III
Walkover	no
Drive-over	no
Power cables	includes 5 m FEP+RUB cable (equivalent to H05RN-F cable), 6x0,50 Ø6.3 mm
Protection systems	IPS (Intelligent Protection System)
Photobiological safety	photobiological safety: risk group 1 according to EN 62471:2006
Notes	Casambi control using the Casambi app with dedicated electronics

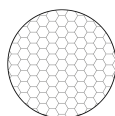
PHOTOMETRIC DATA

L – 59°



ACCESSORIES

Anti-glare



WH0402

Honeycomb louvre

built into the lighting fixture

Order together with the lighting fixture

L&L Luce&Light SRL reserves the right to change the information contained in this document at any time without prior notice being given.