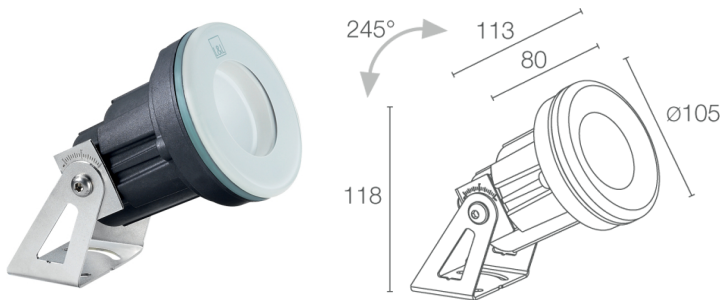
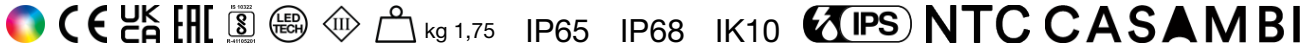


Made in Italy



Moby P 1.1, code: MP11007WV
Projectors for underwater applications

18/07/2024 Rev. 35



DESCRIPTION

projector for underwater applications (not suitable for use in seawater, only suitable for underwater applications); surface mounted (wall, floor), max depth 10 m; Power consumption: 10W; Power supply: 24Vdc; Lumen output at source: RGBW: 563 lm, R: 35 lm G: 225 lm B: 73 lm W 230 lm (4000K); Delivered lumen output: RGBW: 400 lm, R: 25 lm G: 160 lm B: 52 lm W 163 lm (4000K); 1 RGBW power LED group, 50 000h L90 B10 (Ta 25°C); LED colour: RGBW; Optics: 31°x61°: optical system consisting of a high-efficiency, deep-set TIR lens combined with a high-quality elliptical technical filter.; Body material: body made of heat-dissipating technopolymer with a thermal conductivity equal to that of stainless steel. Bracket in AISI 316L stainless steel, tumble finished and painted; Screen material: glass cover in 12-mm-thick, tempered extra-clear glass with vitrified serigraphy suitable for installations in seawater and guaranteeing resistance to corrosion and to knocks and scratches. Mixing chamber to ensure the light's chromatic uniformity.; power supply unit not included; includes 5 m FEP+RUB cable (equivalent to H05RN-F cable), 6x0,50 Ø6.3 mm; Ingress protection: IP65, IP68; Impact resistance: IK10; Casambi control using the Casambi app with dedicated electronics; Protection systems: IPS (Intelligent Protection System) protects lighting fixtures from water infiltrations, which can occur if there are faulty junctions between the cables in outdoor or underwater applications. This innovation, patented by L&L, also guarantees electrical protection against polarity reversal, hot plugging, ESD and power surges, which can occur if there are faults in the electrical circuit; This is an NTC thermistor mounted on the LED board to protect the lighting fixture against overheating. Should the product function at an operating temperature greater than the maximum temperature at which it can operate correctly, the protection is activated and gradually reduces the power. The NTC causes the integrated electronic parts to cool down to avoid the lighting fixture instantly switching itself off. When the operating temperature is again within normal range, the NTC automatically restores the lighting fixture's original operating conditions; Operating temperature: 0°C — +45°C (installation underwater); Glow wire test: 960°; Photobiological safety: photobiological safety: risk group 1 according to EN 62471:2006; Appliance class: class III; Weight: 1750 g; Dimensions: Ø105x118 mm; Energy efficiency class: F (light source) in accordance with EU 2019/2015; Accessories: WH0401 Honeycomb louvre ; tested and approved via E.O.L. (End Of Line) test with functioning test and check of electrical power consumption

Status: Available

ELECTRICAL CHARACTERISTICS

Power consumption	10W
Power supply	24Vdc
Power supply unit	power supply unit not included

LIGHTING CHARACTERISTICS

Number and type of LED	1 RGBW power LED group
Average LED life	50 000h L90 B10 (Ta 25°C)
LED colour	RGBW
Optics	31°x61°
Lumen output at source	RGBW: 563 lm, R: 35 lm G: 225 lm B: 73 lm W 230 lm (4000K)
Delivered lumen output	RGBW: 400 lm, R: 25 lm G: 160 lm B: 52 lm W 163 lm (4000K)

MECHANICAL CHARACTERISTICS

Dimensions	Ø105x118 mm
Weight	1750 g
Mounting	with screws and plugs
Body material	body in thermally conductive technopolymer, bracket in AISI 316L stainless steel
Screen material	glass cover with vitrified serigraphy

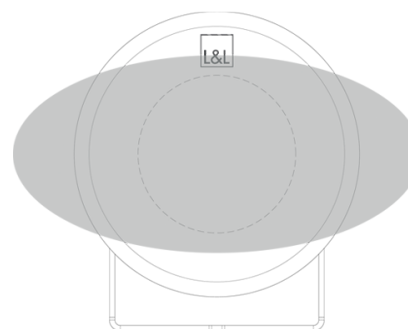
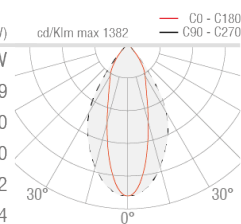
GENERAL CHARACTERISTICS

Ingress protection	IP65, IP68
Operating temperature	0°C — +45°C (installation underwater)
Impact resistance	IK10
Energy efficiency class	F (light source) in accordance with EU 2019/2015
Glow wire test	960°
Appliance class	class III
Walkover	no
Drive-over	no
Power cables	includes 5 m FEP+RUB cable (equivalent to H05RN-F cable), 6x0,50 Ø6.3 mm
Protection systems	IPS (Intelligent Protection System); NTC (thermistor mounted on LED board)
Photobiological safety	photobiological safety: risk group 1 according to EN 62471:2006
Notes	Casambi control using the Casambi app with dedicated electronics

PHOTOMETRIC DATA

W – 31°x61°

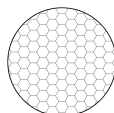
H (m)	Ø (m)	Ø (m)	Lux max (RGBW)	cd/Klm max 1382
1.00	0.57	1.17	359	10W
2.00	1.13	2.35	90	
3.00	1.70	3.52	40	
4.00	2.27	4.69	22	
5.00	2.83	5.87	14	



31°x61°

ACCESSORIES

Anti-glare



WH0401

Honeycomb louvre

built into the lighting fixture

Order together with the lighting fixture

L&L Luce&Light SRL reserves the right to change the information contained in this document at any time without prior notice being given.