
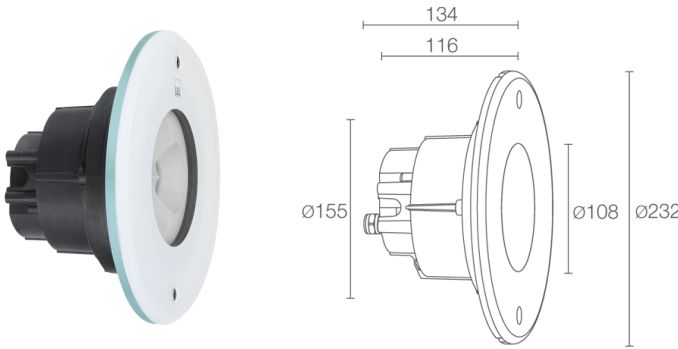


Made in Italy

 Moby 2.1, code: MY21005WV  
Recessed for underwater applications

01/04/2025 Rev. 13/2024



## DESCRIPTION

recessed for underwater applications (suitable for use in seawater, only suitable for underwater applications); recessed (wall), max depth 10 m; Power consumption: 25W; Power supply: 24Vdc; Lumen output at source: 2135 lm (3000K); Delivered lumen output: 1515 lm (3000K, 21°); 3 power LEDs groups, 2-step MacAdam, 50 000h L90 B10 (Ta 25°C); LED colour: 3000K; Optics: 31°x61°: optical system consisting of a high-efficiency, deep-set TIR lens combined with a high-quality elliptical technical filter.; CRI Colour Rendering Index: 80; Body material: body made of heat-dissipating technopolymer with a thermal conductivity equal to that of stainless steel; Screen material: glass cover in 12-mm-thick, tempered extra-clear glass with vitrified serigraphy suitable for installations in seawater and guaranteeing resistance to corrosion and to knocks and scratches. Mixing chamber to ensure the light's chromatic uniformity.; power supply unit not included; includes 5 m neoprene cable, H05RN-F 2x1,00 Ø6.8 mm; Ingress protection: IP68; Impact resistance: IK10; not suitable for use in swimming pools with liners; Casambi control using the Casambi app with dedicated electronics; Protection systems: IPS (Intelligent Protection System) protects lighting fixtures from water infiltrations, which can occur if there are faulty junctions between the cables in outdoor or underwater applications. This innovation, patented by L&L, also guarantees electrical protection against polarity reversal, hot plugging, ESD and power surges, which can occur if there are faults in the electrical circuit; Operating temperature: 0°C — +45°C (installation underwater); Glow wire test: 960°C; Photobiological safety: photobiological safety: risk group 1 according to EN 62471:2006; Appliance class: class III; Weight: 2200 g; Dimensions: Ø232x134 mm; Energy efficiency class: F (light source) in accordance with EU 2019/2015; Accessories: WC5202 Outer casing, WH0402 Honeycomb louvre ; tested and approved via E.O.L. (End Of Line) test with functioning test and check of electrical power consumption

Status: Available

**ELECTRICAL CHARACTERISTICS**

Power consumption	25W
Power supply	24Vdc
Power supply unit	power supply unit not included

**LIGHTING CHARACTERISTICS**

Number and type of LED	3 power LEDs groups
Average LED life	50 000h L90 B10 (Ta 25°C)
LED colour	3000K
CRI Colour Rendering Index	80
Binning	2-step MacAdam
Optics	31°x61°
Lumen output at source	2135 lm (3000K)
Delivered lumen output	1515 lm (3000K, 21°)

**MECHANICAL CHARACTERISTICS**

Dimensions	Ø232x134 mm
Weight	2200 g
Mounting	with outer casing
Body material	body in thermally conductive technopolymer
Screen material	glass cover with vitrified serigraphy

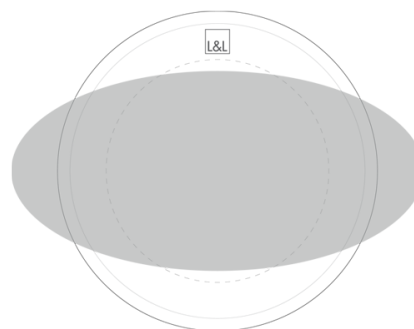
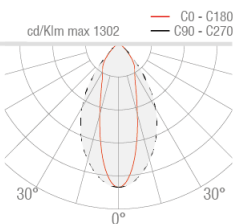
**GENERAL CHARACTERISTICS**

Ingress protection	IP68
Operating temperature	0°C — +45°C (installation underwater)
Impact resistance	IK10
Energy efficiency class	F (light source) in accordance with EU 2019/2015
Glow wire test	960°C
Appliance class	class III
Walkover	no
Drive-over	no
Power cables	includes 5 m neoprene cable, H05RN-F 2x1,00 Ø6.8 mm
Protection systems	IPS (Intelligent Protection System)
Photobiological safety	photobiological safety: risk group 1 according to EN 62471:2006
Notes	not suitable for use in swimming pools with liners; Casambi control using the Casambi app with dedicated electronics

## PHOTOMETRIC DATA

W – 31°x61°

H (m)	Ø (m)	Ø (m)	25W
1.00	0.54	1.18	1817
2.00	1.09	2.36	454
3.00	1.63	3.54	202
4.00	2.18	4.71	114
5.00	2.72	5.89	73



31°x61°

## ACCESSORIES

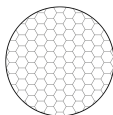
### Installation Accessories



**WC5202**

Outer casing

### Anti-glare



**WH0402**

Honeycomb louvre

built into the lighting fixture

Order together with the lighting fixture

L&L Luce&Light SRL reserves the right to change the information contained in this document at any time without prior notice being given.