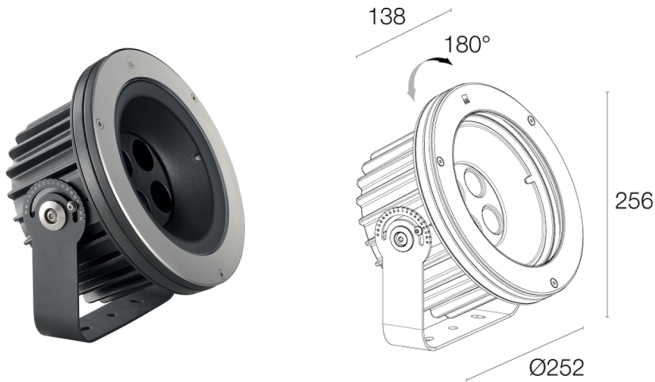


Made in Italy



Stra P 1.0, code: PS101005XH
Projectors for outdoor applications

03/04/2025 Rev. 09/2024



DESCRIPTION

projector for outdoor applications; surface mounted (ceiling, wall, floor); Power consumption: 37W; Power supply: 230Vac; Lumen output at source: 3402 lm (3000K, CRI 80); Delivered lumen output: 2205 lm (3000K, 66°x11° adjustable, CRI 80); 4 high-intensity power LEDs, 3-step MacAdam, 50 000h L90 B10 (Ta 25°C); LED colour: 3000K; Optics: adjustable 66°x11°: optical system consisting of a high-efficiency TIR lens combined with a high-quality elliptical technical filter and integrated with magnetic material for adjusting the ellipsis (patented); CRI Colour Rendering Index: 80; Body material: body made of die-cast aluminium. Trim in AISI 316L stainless steel, made with a CNC lathe then micro-peened, passivated and electropolished to guarantee excellent corrosion resistance. Bracket in AISI 316L stainless steel, tumble finished and painted; Finishes: die-cast body painted anthracite with an initial treatment of a ceramic nanoparticle coating, as surface preparation for painting, followed by a coat of epoxy paint and one of polyester paint to provide corrosion resistance of more than 1500 hours of salt spray. Paints compliant with the Qualicoat standard (automotive standard); Screen material: 15-mm-thick tempered, transparent extra-clear glass, with vitrified serigraphy, to ensure chromatic uniformity of light and excellent resistance to knocks and scratches; built-in power supply unit; includes 1.5 m neoprene cable H05RN-F 3x1,0 Ø7 mm; Control system: ON/OFF; Ingress protection: IP66; Impact resistance: IK10; 66°x11° optics adjustable through 360° using the magnet provided; DALI version available on request; Protection systems: IPS (Intelligent Protection System) protects lighting fixtures from water infiltrations, which can occur if there are faulty junctions between the cables in outdoor or underwater applications. This innovation, patented by L&L, also guarantees electrical protection against polarity reversal, hot plugging, ESD and power surges, which can occur if there are faults in the electrical circuit; The PID (Protective Impedance Device) protects lighting fixtures from electrical phenomena external to the system, such as static electricity accumulation or electromagnetic interference coming from the mains power. Generally, these are events with a low energy content; The SPD (Surge Protection Device) protects lighting fixtures from electrical phenomena external to the system, such as power surges. In particular, this device is specifically for protection against serious events with a high energy content; Operating temperature: -20°C — +45°C; Glow wire test: 960°C; Photobiological safety: photobiological safety: risk group 1 according to EN 62471:2006; Appliance class: class I; Weight: 6000 g; Dimensions: Ø252x138 mm; Energy efficiency class: F (light source) in accordance with EU 2019/2015; Accessories: WE0201 Magnet for adjustable optics and zoom lens, WN7100 Anti-fall kit; tested and approved via E.O.L. (End Of Line) test with functioning test and check of electrical power consumption

Status: Available

ELECTRICAL CHARACTERISTICS

| | |
|-------------------|----------------------------|
| Power consumption | 37W |
| Power supply | 230Vac |
| Power supply unit | built-in power supply unit |
| Control system | ON/OFF |

LIGHTING CHARACTERISTICS

| | |
|----------------------------|---|
| Number and type of LED | 4 high-intensity power LEDs |
| Average LED life | 50 000h L90 B10 (Ta 25°C) |
| LED colour | 3000K |
| CRI Colour Rendering Index | 80 |
| Binning | 3-step MacAdam |
| Optics | adjustable 66°x11° |
| Lumen output at source | 3402 lm (3000K, CRI 80) |
| Delivered lumen output | 2205 lm (3000K, 66°x11° adjustable, CRI 80) |

MECHANICAL CHARACTERISTICS

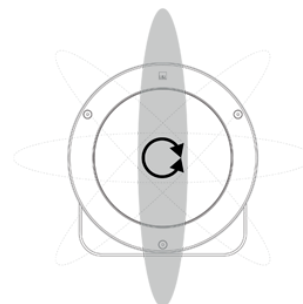
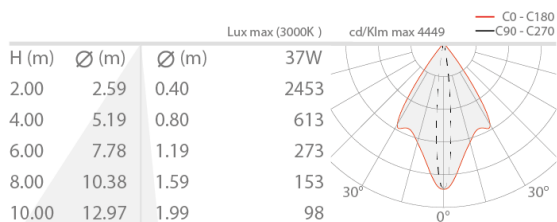
| | |
|-----------------|--|
| Dimensions | Ø252x138 mm |
| Weight | 6000 g |
| Finishes | anthracite |
| Mounting | with screws and plugs |
| Body material | body in die-cast aluminium, trim in AISI 316L stainless steel |
| Screen material | screen in serigraphed, transparent, tempered extra-clear glass |

GENERAL CHARACTERISTICS

| | |
|-------------------------|---|
| Ingress protection | IP66 |
| Operating temperature | -20°C — +45°C |
| Impact resistance | IK10 |
| Features | 66°x11° optics adjustable through 360° using the magnet provided |
| Energy efficiency class | F (light source) in accordance with EU 2019/2015 |
| Glow wire test | 960°C |
| Appliance class | class I |
| Walkover | no |
| Drive-over | no |
| Power cables | includes 1.5 m neoprene cable H05RN-F 3x1,0 Ø7 mm |
| Protection systems | IPS (Intelligent Protection System); PID (Protective Impedance Device); SPD (Surge Protection Device) |
| Photobiological safety | photobiological safety: risk group 1 according to EN 62471:2006 |
| Notes | DALI version available on request |

PHOTOMETRIC DATA

X – 66°x11° CRI 80



66°x11°

ACCESSORIES

Other



WE0201
Magnet for adjustable optics and zoom lens



WN7100
Anti-fall kit

L&L Luce&Light SRL reserves the right to change the information contained in this document at any time without prior notice being given.