
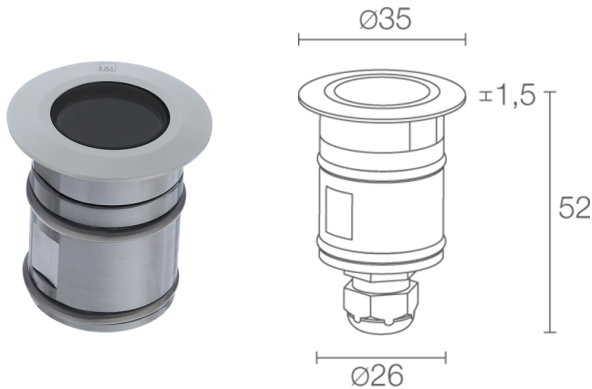
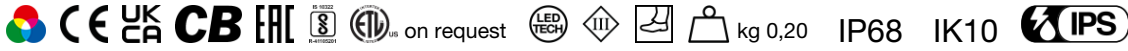


Made in Italy

 **Bright 1.8, code: CB18006DSI**
Recessed for outdoor applications

18/07/2024 Rev. 30



DESCRIPTION

recessed for outdoor applications (not suitable for use in immersion in swimming pools or fountains); walkover; recessed (ceiling, wall, floor); Power consumption: 1,2W; Power supply: 12Vdc; Lumen output at source: 15 lm, R: 4 lm G: 8 lm B: 3 lm; Delivered lumen output: 11 lm, R: 3 lm G: 6 lm B: 2 lm (transparent diffuse optics); 1 mid-power, full-colour LED, 50 000h L90 B10 (Ta 25°C); LED colour: RGB; Optics: diffuse sandblasted; Body material: body and trim in AISI 316L stainless steel; RAL finish on request; Screen material: screen in acid-etched, tempered extra-clear glass; Thickness of installation surface: min 5 mm, max 30 mm; power supply unit not included; includes 1.5 m neoprene cable, 05RN-F 4x0.50/0.50 Ø6.3 mm; Ingress protection: IP68; Impact resistance: IK10; Casambi control using the Casambi app with dedicated electronics; Protection systems: IPS (Intelligent Protection System) protects lighting fixtures from water infiltrations, which can occur if there are faulty junctions between the cables in outdoor or underwater applications. This innovation, patented by L&L, also guarantees electrical protection against polarity reversal, hot plugging, ESD and power surges, which can occur if there are faults in the electrical circuit; Operating temperature: -20°C — +45°C; Maximum device temperature: 50°C (Ta 25°C); Glow wire test: 960°; Photobiological safety: in accordance with IEC TR 62778:2014; Appliance class: class III; Weight: 200 g; Dimensions: Ø35x52 mm; Cutout dimensions: Ø30 mm; Volume of thermal heatsink: Ø80x100 mm; Energy efficiency class: F (light source) in accordance with EU 2019/2015; Accessories: WC0202 Outer casing, WG0301 Retaining spring clip Ø30mm; tested and approved via E.O.L. (End Of Line) test with functioning test and check of electrical power consumption

Status: Product being discontinued

ELECTRICAL CHARACTERISTICS

Power consumption	1,2W
Power supply	12Vdc
Power supply unit	power supply unit not included

LIGHTING CHARACTERISTICS

Number and type of LED	1 mid-power, full-colour LED
Average LED life	50 000h L90 B10 (Ta 25°C)
LED colour	RGB
Optics	diffuse sandblasted
Lumen output at source	15 lm, R: 4 lm G: 8 lm B: 3 lm
Delivered lumen output	11 lm, R: 3 lm G: 6 lm B: 2 lm (transparent diffuse optics)

MECHANICAL CHARACTERISTICS

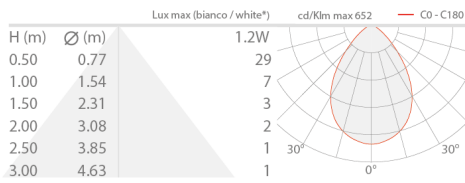
Dimensions	Ø35x52 mm
Weight	200 g
Mounting	with fixing springs or outer casing
Body material	body and trim in AISI 316L stainless steel
Screen material	screen in acid-etched, tempered extra-clear glass
Cutout dimensions	Ø30 mm
Volume of thermal heatsink	Ø80x100 mm

GENERAL CHARACTERISTICS

Ingress protection	IP68
Operating temperature	-20°C – +45°C
Impact resistance	IK10
Energy efficiency class	F (light source) in accordance with EU 2019/2015
Glow wire test	960°
Maximum device temperature	50°C (Ta 25°C)
Appliance class	class III
Walkover	yes
Drive-over	no
Power cables	includes 1.5 m neoprene cable, 05RN-F 4x0.50/0.50 Ø6.3 mm
Protection systems	IPS (Intelligent Protection System)
Photobiological safety	in accordance with IEC TR 62778:2014
Notes	Casambi control using the Casambi app with dedicated electronics

PHOTOMETRIC DATA

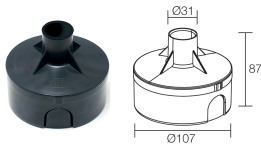
D – Diffuse



* Bianco ottenuto con miscelazione dei colori
White created by mixing the colours

ACCESSORIES

Installation Accessories



WC0202
Outer casing



WG0301
Retaining spring clip Ø30mm

L&L Luce&Light SRL reserves the right to change the information contained in this document at any time without prior notice being given.