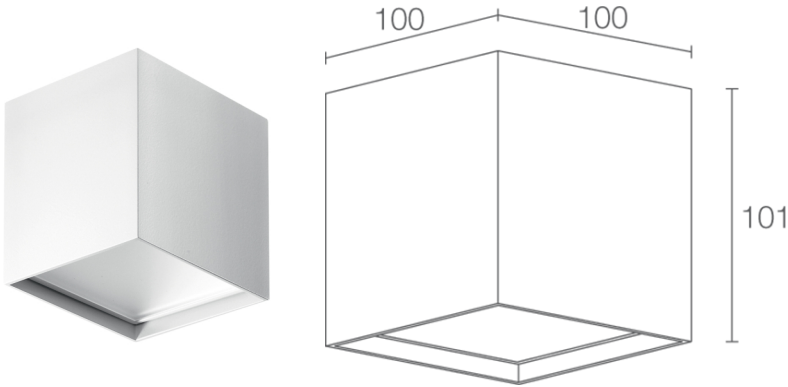
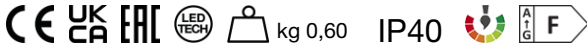


Made in Italy



Teko 7.0, code: TK70115DB
Ceiling mounted for indoor applications

01/04/2025 Rev. 08/2024



DESCRIPTION

ceiling mounted for indoor applications; surface mounted (ceiling); Power consumption: 17W; Power supply: 230Vac; Lumen output at source: 1565 lm (3000K, 17W); Delivered lumen output: 1119 lm (3000K, 17W); power LED matrix, 3-step MacAdam, 50 000h L80 B10 (Ta 25°C); LED colour: 3000K; Optics: diffuse; CRI Colour Rendering Index: 80; Body material: body in anodized aluminium; Finishes: white (RAL 9003); RAL finish on request; Screen material: screen in one-side-frosted, transparent plexiglass; built-in power supply unit; terminal block; Ingress protection: IP40; Operating temperature: 0°C — +45°C; Photobiological safety: photobiological safety: risk group 1 according to EN 62471:2006; Appliance class: class I; Weight: 600 g; Dimensions: 100x100x101 mm; Energy efficiency class: F (light source) in accordance with EU 2019/2015; tested and approved via E.O.L. (End Of Line) test with functioning test and check of electrical power consumption

Status: Available

ELECTRICAL CHARACTERISTICS

Power consumption	17W
Power supply	230Vac
Power supply unit	built-in power supply unit

LIGHTING CHARACTERISTICS

Number and type of LED	power LED matrix
Average LED life	50 000h L80 B10 (Ta 25°C)
LED colour	3000K
CRI Colour Rendering Index	80
Binning	3-step MacAdam
Optics	diffuse
Lumen output at source	1565 lm (3000K, 17W)
Delivered lumen output	1119 lm (3000K, 17W)

MECHANICAL CHARACTERISTICS

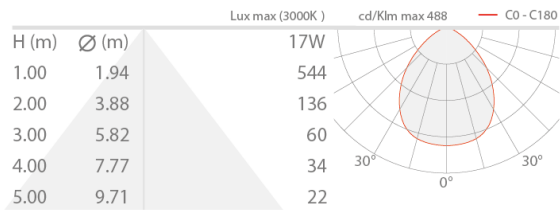
Dimensions	100x100x101 mm
Weight	600 g
Finishes	white RAL 9003
Mounting	with mounting plate, screws and plugs
Body material	body in anodized aluminium
Screen material	screen in one-side-frosted, transparent plexiglass

GENERAL CHARACTERISTICS

Ingress protection	IP40
Operating temperature	0°C — +45°C
Energy efficiency class	F (light source) in accordance with EU 2019/2015
Appliance class	class I
Walkover	no
Drive-over	no
Power cables	terminal block
Photobiological safety	photobiological safety: risk group 1 according to EN 62471:2006

PHOTOMETRIC DATA

D – Diffuse



L&L Luce&Light SRL reserves the right to change the information contained in this document at any time without prior notice being given.