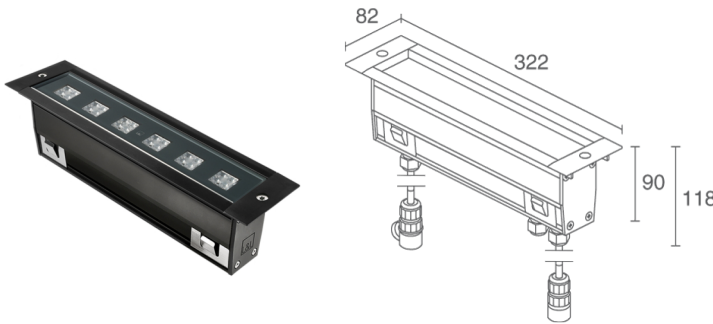


Made in Italy

Tago 4.0, code: TG4030040070SN
Linear profiles for outdoor applications



DMX+RDM T max 40°C A
↑
G F



DESCRIPTION

linear profile for outdoor applications; drive-over up to 2000 kg; recessed (floor); Power consumption: 14W; Power supply: 48Vdc; Lumen output at source: 2070 lm, R: 144 lm G: 948 lm B: 228 lm W: 750 lm (4000K); Delivered lumen output: 1374 lm, R: 90 lm G: 660 lm B: 132 lm W: 492 lm (4000K, 24°); 24 high power LEDs, 60 000h L80 B10 (Ta 25°C); LED colour: RGBW; Optics: 24°; optical system composed of a series of equidistant light sources, 41.7 mm apart. The TIR lens, made of PMMA, guarantees high-quality light emission and visual comfort; Body material: body made of Anticorodal® low-copper-content aluminium EN AW 6060 T5 for excellent heat dissipation, manufactured from an extruded profile and subjected to a deep black electro-colouring process (between 10 and 15 microns) for excellent corrosion resistance. Caps made of black-painted (RAL 9005 matt) technopolymer for greater resistance to corrosion and atmospheric agents; Finishes: black anodized aluminium finish obtained by electro-colouring to give the product better heat dissipation and the material corrosion resistance; Screen material: 10-mm-thick transparent, tempered extra-clear glass, high-transmittance with grey-vitrified serigraphy (RAL 7015), to ensure chromatic uniformity and excellent resistance to knocks and scratches; Seals: black Santoprene™ O-rings guarantee lasting resistance to UV rays; Installation: DMX+RDM version: IP68 H-style three-port, four-pole connector for the power supply, and IP68 three-pin female connector and IP68 three-pin male connector for the DMX+RDM signal; power supply unit not included; includes 1.5 m neoprene cable H07RN-F 2x1.0 Ø8.7 mm and 2 cables for DMX signal with shielded cable of 0.75 m Ø5.5 mm; Control system: DMX512+RDM; Ingress protection: IP65, IP67, IP69; Impact resistance: IK09; In/out connection and easy wiring with quick connectors designed to connect the profiles together in a line; Tamper-resistant screw with central pin; Protection systems: IPS (Intelligent Protection System) protects lighting fixtures from water infiltrations, which can occur if there are faulty junctions between the cables in outdoor or underwater applications. This innovation, patented by L&L, also guarantees electrical protection against polarity reversal, hot plugging, ESD and power surges, which can occur if there are faults in the electrical circuit; Operating temperature: -20°C — +45°C; Maximum device temperature: 40°C (Ta 25°C); Photobiological safety: in accordance with IEC TR 62778:2014; Appliance class: class III; Weight: 2200 g; Dimensions: 82x118x322 mm; Energy efficiency class: F (light source) in accordance with EU 2019/2015; Accessories: WCTG10A0T Outer casing, WFA0105 5-m 3-pin interconnect cable, WFA02 IP68 “h”-type three-way connector (82x53.3x28 mm), WFA03 3-pin female connector, WFA04 3-pin male connector; tested and approved via E.O.L. (End Of Line) test with functioning test and check of electrical power consumption

Status: Available

ELECTRICAL CHARACTERISTICS

Power consumption	14W
Power supply	48Vdc
Power supply unit	power supply unit not included
Control system	DMX512+RDM

LIGHTING CHARACTERISTICS

Number and type of LED	24 high power LEDs
Average LED life	60 000h L80 B10 (Ta 25°C)
LED colour	RGBW
Optics	24°
Lumen output at source	2070 lm, R: 144 lm G: 948 lm B: 228 lm W: 750 lm (4000K)
Delivered lumen output	1374 lm, R: 90 lm G: 660 lm B: 132 lm W: 492 lm (4000K, 24°)

MECHANICAL CHARACTERISTICS

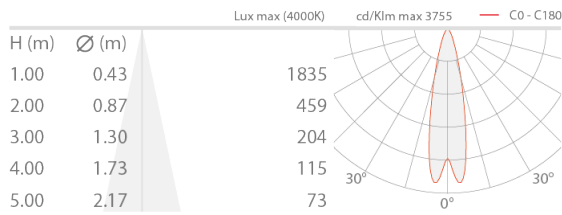
Dimensions	82x118x322 mm
Weight	2200 g
Finishes	anodized black
Mounting	with outer casing
Body material	body in black-anodized anticorrosion aluminium, caps in technopolymer
Screen material	screen in serigraphed-grey and transparent, tempered extra-clear glass

GENERAL CHARACTERISTICS

Ingress protection	IP65, IP67, IP69
Operating temperature	-20°C — +45°C
Impact resistance	IK09
Features	In/out connection and easy wiring with quick connectors designed to connect the profiles together in a line
Energy efficiency class	F (light source) in accordance with EU 2019/2015
Maximum device temperature	40°C (Ta 25°C)
Appliance class	class III
Walkover	yes
Drive-over	up to 2000 kg
Power cables	includes 1.5 m neoprene cable H07RN-F 2x1.0 Ø8.7 mm and 2 cables for DMX signal with shielded cable of 0.75 m Ø5.5 mm
Protection systems	IPS (Intelligent Protection System)
Photobiological safety	in accordance with IEC TR 62778:2014
Notes	Tamper-resistant screw with central pin

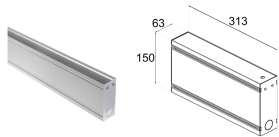
PHOTOMETRIC DATA

S – 24°



ACCESSORIES

Installation Accessories



WCTG10A0T
Outer casing

Other



WFA0105
5-m 3-pin interconnect cable
for the DMX signal



WFA02
IP68 "h"-type three-way connector (82x53.3x28 mm)
4-pin



WFA03
3-pin female connector
for in/out connection
IP66-IP68



WFA04
3-pin male connector
for IP66-IP68 in/out connection

L&L Luce&Light SRL reserves the right to change the information contained in this document at any time without prior notice being given.