
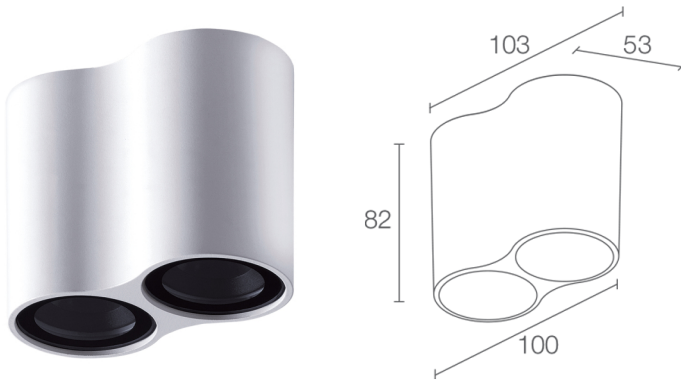


Made in Italy

 **Intono C IN 2.3, code: NC231000015MMB**
Ceiling mounted for indoor applications

04/12/2024 Rev. 52



DESCRIPTION

ceiling mounted for indoor applications; surface mounted (ceiling); Power consumption: 12W; Power supply: 230Vac; Lumen output at source: 976 lm (3000K, CRI 80); Delivered lumen output: 704 lm (3000K, 34°, CRI 80); 2 power LEDs, 3-step MacAdam, 50 000h L90 B10 (Ta 25°C); LED colour: 3000K; Optics: 34°: optical system consisting of a recessed PMMA TIR lens guarantees high-quality light emission and visual comfort; CRI Colour Rendering Index: 80; Body material: body made of low-copper-content die-cast aluminium alloy EN AB 46100 for excellent resistance to corrosion; Finishes: body painted white (RAL 9003); RAL finish on request; Screen material: 4-mm-thick transparent extra-clear glass, with high transmittance to ensure chromatic uniformity and tempered for excellent resistance to knocks and scratches, with a vitrified RAL 9005 black serigraphed border; built-in power supply unit; Ingress protection: IP40; Impact resistance: IK06; easy installation thanks to 4-point magnetic fastener; version compatible with Google Home or Amazon Echo available on request for voice command control, Casambi-compatible version, controllable with the Casambi app, available on request; Operating temperature: 0°C — +45°C; Maximum device temperature: 50°C (Ta 25°C); Glow wire test: 960°; Photobiological safety: in accordance with IEC TR 62778:2014; Appliance class: class II; Weight: 350 g; Dimensions: 53x103x82 mm; Energy efficiency class: F (light source) in accordance with EU 2019/2015; Accessories: honeycomb louvre; tested and approved via E.O.L. (End Of Line) test with functioning test and check of electrical power consumption

Status: Available

ELECTRICAL CHARACTERISTICS

Power consumption	12W
Power supply	230Vac
Power supply unit	built-in power supply unit

LIGHTING CHARACTERISTICS

Number and type of LED	2 power LEDs
Average LED life	50 000h L90 B10 (Ta 25°C)
LED colour	3000K
CRI Colour Rendering Index	80
Binning	3-step MacAdam
Optics	34°
Lumen output at source	976 lm (3000K, CRI 80)
Delivered lumen output	704 lm (3000K, 34°, CRI 80)

MECHANICAL CHARACTERISTICS

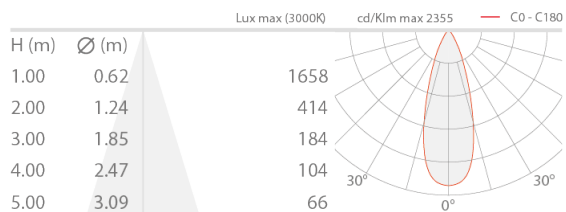
Dimensions	53x103x82 mm
Weight	350 g
Finishes	white RAL 9003
Mounting	with screws and plugs
Body material	body in die-cast aluminium
Screen material	screen in black-serigraphed, tempered, transparent extra-clear glass

GENERAL CHARACTERISTICS

Ingress protection	IP40
Operating temperature	0°C — +45°C
Impact resistance	IK06
Features	easy installation thanks to 4-point magnetic fastener
Energy efficiency class	F (light source) in accordance with EU 2019/2015
Glow wire test	960°
Maximum device temperature	50°C (Ta 25°C)
Appliance class	class II
Walkover	no
Drive-over	no
Photobiological safety	in accordance with IEC TR 62778:2014
Notes	version compatible with Google Home or Amazon Echo available on request for voice command control, Casambi-compatible version, controllable with the Casambi app, available on request

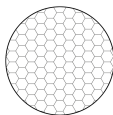
PHOTOMETRIC DATA

MM – 34° CRI 80



ACCESSORIES

Anti-glare



honeycomb louvre

built into the lighting fixture

not compatible with diffuse optics

Add the optical accessory in the code generator

L&L Luce&Light SRL reserves the right to change the information contained in this document at any time without prior notice being given.