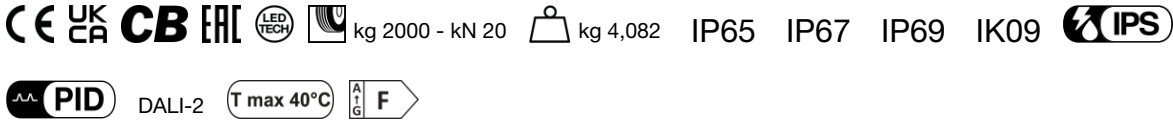
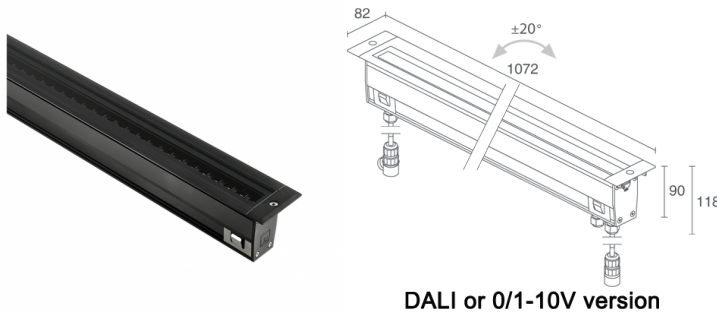


Made in Italy

**Tago 1.3, code: TG13100D0250WN**  
Linear profiles for outdoor applications



30/06/2024 Rev. 53



## DESCRIPTION

linear profile for outdoor applications; drive-over up to 2000 kg; recessed (floor); Power consumption: 51W; Power supply: 230Vac; Lumen output at source: 5968 lm (3000K); Delivered lumen output: 3728 lm (3000K, 29°); 48 SMD LEDs, 2-step MacAdam, 60 000h L80 B10 (Ta 25°C); LED colour: 3000K; Optics: 20°x49° tiltable ±20°: optical system composed of a series of equidistant tiltable light sources, 20.83 mm apart. Fitted with locking screw. The deep-set elliptical PMMA TIR lens guarantees high-quality light emission and visual comfort; CRI Colour Rendering Index: 80; Body material: body made of Anticorodal® low-copper-content aluminium EN AW 6060 T5 for excellent heat dissipation, manufactured from an extruded profile and subjected to a deep black electro-colouring process (between 10 and 15 microns) for excellent corrosion resistance. Caps made of black-painted (RAL 9005 matt) technopolymer for greater resistance to corrosion and atmospheric agents; Finishes: black anodized aluminium finish obtained by electro-colouring to give the product better heat dissipation and the material corrosion resistance; Screen material: 10-mm-thick transparent, tempered extra-clear glass, high-transmittance with grey-vitrified serigraphy (RAL 7015), to ensure chromatic uniformity and excellent resistance to knocks and scratches; Seals: black Santoprene™ O-rings guarantee lasting resistance to UV rays; Installation: On/off version: one IP68 4-way connector for power supply. Dimmable version: one IP68 4-way connector for power supply and two IP68 3-way connectors for DALI and 0/1-10V signal; built-in power supply unit; on/off: includes 1.5 m neoprene cable H07RN-F 3x1.0 Ø9.3 mm DALI, 0/1-10V: includes 1 x 1.5 m neoprene cable H07RN-F 3x1.0 Ø9.3 mm and 2 x 0.75 m neoprene cables H05RN-F 2x1.0 Ø6.7 mm; Control system: DALI-2; Ingress protection: IP65, IP67, IP69; Impact resistance: IK09; optical accessories of honeycomb louvre and anti-glare shield built into the lighting fixture and tiltable together with the optics. In/out connection and easy wiring with quick connectors designed to connect the profiles one after the other in the dimmable versions; Casambi-compatible version, controllable with the Casambi app, available on request; Tamper-resistant screw with central pin. GORE-TEX valve to relieve the internal pressure; Protection systems: IPS (Intelligent Protection System) protects lighting fixtures from water infiltrations, which can occur if there are faulty junctions between the cables in outdoor or underwater applications. This innovation, patented by L&L, also guarantees electrical protection against polarity reversal, hot plugging, ESD and power surges, which can occur if there are faults in the electrical circuit; The PID (Protective Impedance Device) protects lighting fixtures from electrical phenomena external to the system, such as static electricity accumulation or electromagnetic interference coming from the mains power. Generally, these are events with a low energy content; Operating temperature: -20°C — +45°C; Maximum device temperature: 40°C (Ta 25°C); Photobiological safety: in accordance with IEC TR 62778:2014; Appliance class: class I; Weight: 4082 g; Dimensions: 82x118x1072 mm; Energy efficiency class: F (light source) in accordance with EU 2019/2015; Accessories: anti-glare shield, WCTG13A0T Outer casing, WFA0005 5-m 4-pin interconnect cable, WFA03 3-pin female connector, WFA04 3-pin male connector; tested and approved via E.O.L. (End Of Line) test with functioning test and check of electrical power consumption

Status: Available

### ELECTRICAL CHARACTERISTICS

Power consumption	51W
Power supply	230Vac
Power supply unit	built-in power supply unit
Control system	DALI-2

### LIGHTING CHARACTERISTICS

Number and type of LED	48 SMD LEDs
Average LED life	60 000h L80 B10 (Ta 25°C)
LED colour	3000K
CRI Colour Rendering Index	80
Binning	2-step MacAdam
Optics	20°x49° tiltable ±20°
Lumen output at source	5968 lm (3000K)
Delivered lumen output	3728 lm (3000K, 29°)

### MECHANICAL CHARACTERISTICS

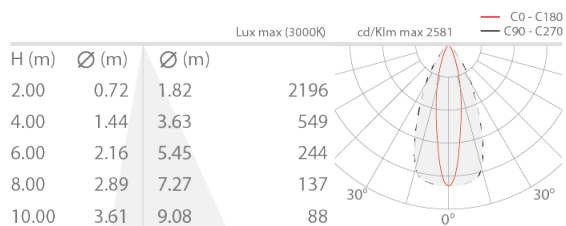
Dimensions	82x118x1072 mm
Weight	4082 g
Finishes	anodized black
Mounting	with outer casing
Body material	body in black-anodized anticorodal aluminium, caps in technopolymer
Screen material	screen in serigraphed-grey and transparent, tempered extra-clear glass

### GENERAL CHARACTERISTICS

Operating temperature	-20°C — +45°C
Ingress protection	IP65, IP67, IP69
Impact resistance	IK09
Features	optical accessories of honeycomb louvre and anti-glare shield built into the lighting fixture and tiltable together with the optics. In/out connection and easy wiring with quick connectors designed to connect the profiles one after the other in the dimmable versions
Energy efficiency class	F (light source) in accordance with EU 2019/2015
Maximum device temperature	40°C (Ta 25°C)
Appliance class	class I
Walkover	yes
Drive-over	up to 2000 kg
Power cables	on/off: includes 1.5 m neoprene cable H07RN-F 3x1.0 Ø9.3 mm DALI, 0/1-10V: includes 1 x 1.5 m neoprene cable H07RN-F 3x1.0 Ø9.3 mm and 2 x 0.75 m neoprene cables H05RN-F 2x1.0 Ø6.7 mm
Protection systems	IPS (Intelligent Protection System); PID (Protective Impedance Device)
Photobiological safety	in accordance with IEC TR 62778:2014
Notes	Casambi-compatible version, controllable with the Casambi app, available on request; Tamper-resistant screw with central pin. GORE-TEX valve to relieve the internal pressure

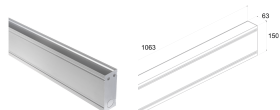
PHOTOMETRIC DATA

W – 20°x49°



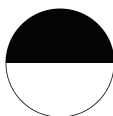
ACCESSORIES

Installation Accessories



**WCTG13A0T**  
Outer casing

Anti-glare



anti-glare shield

built into the lighting fixture

The anti-glare shield can be fitted on the 17°, 29°, 69° and 20°x49° optics  
Add the optical accessory in the code generator

Other



**WFA0005**  
5-m 4-pin interconnect cable  
for DALI or 0/1–10V version



**WFA03**  
3-pin female connector  
for in/out connection  
IP66-IP68

**WFA04**

3-pin male connector  
for IP66-IP68 in/out connection

L&L Luce&Light SRL reserves the right to change the information contained in this document at any time without prior notice being given.