
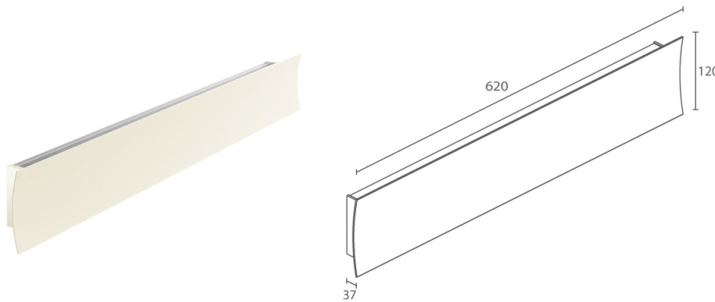


Made in Italy

 Berica IN 3.2, code: BB32101D0090D6  
Wall mounted for indoor applications

05/04/2025 Rev. 10/2024



## DESCRIPTION

wall mounted for indoor applications, double beam; surface mounted (ceiling, wall); Power consumption: 54W; Power supply: 230Vac; Lumen output at source: 6560 lm (3000K); Delivered lumen output: 5456 lm (3000K, diffuse optics); 128 mid-power LEDs, 3-step MacAdam, 50 000h L80 B10 (Ta 25°C); LED colour: 4000K; Optics: diffuse: optical system consisting of a high-efficiency PMMA linear lens made by an extrusion process; CRI Colour Rendering Index: >90; Body material: body and concave cover made of low-copper-content ANTICORODAL® EN AW 6060 T5 aluminium alloy for excellent resistance to corrosion. Body and concave cover made by an extrusion process and subsequently finished by CNC milling. Caps made of polycarbonate through a moulding process and designed so they follow the curved profile of the front panel; Finishes: body painted white (RAL 9003), cover and end caps painted matt antique white (RAL 9001) (RAL 9001); RAL finish on request; built-in power supply unit; Control system: PUSH, DALI-2; Ingress protection: IP40; non-standard lengths available on request (max 1100mm), single-beam version available on request; Operating temperature: 0°C – +45°C; Glow wire test: 650°C; Photobiological safety: in accordance with IEC TR 62778:2014; Appliance class: class II; Weight: 1600 g; Dimensions: 620x120x37 mm; Energy efficiency class: F (light source) in accordance with EU 2019/2015; tested and approved via E.O.L. (End Of Line) test with functioning test and check of electrical power consumption

Status: Available

### ELECTRICAL CHARACTERISTICS

Power consumption	54W
Power supply	230Vac
Power supply unit	built-in power supply unit
Control system	PUSH, DALI-2

### LIGHTING CHARACTERISTICS

Number and type of LED	128 mid-power LEDs
Average LED life	50 000h L80 B10 (Ta 25°C)
LED colour	4000K
CRI Colour Rendering Index	>90
Binning	3-step MacAdam
Optics	diffuse
Lumen output at source	6560 lm (3000K)
Delivered lumen output	5456 lm (3000K, diffuse optics)

### MECHANICAL CHARACTERISTICS

Dimensions	620x120x37 mm
Weight	1600 g
Finishes	antique white RAL 9001
Mounting	with screws and plugs
Body material	body and cover in anticorrosional aluminium

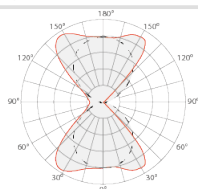
### GENERAL CHARACTERISTICS

Ingress protection	IP40
Operating temperature	0°C — +45°C
Energy efficiency class	F (light source) in accordance with EU 2019/2015
Glow wire test	650°C
Appliance class	class II
Walkover	no
Drive-over	no
Photobiological safety	in accordance with IEC TR 62778:2014
Notes	non-standard lengths available on request (max 1100mm), single-beam version available on request

PHOTOMETRIC DATA

D – Diffuse

H (m)	Ø (m)	Ø (m)	Lux max (3000K)	cd/Klm max 207	Legend	
					— C0 - C180	— C90 - C270
0.50	1.12	1.43	3738			
1.00	2.23	2.87	934			
1.50	3.35	4.30	415			
2.00	4.46	5.73	234			
2.50	5.58	7.17	150			
3.00	6.69	8.60	104			



L&L Luce&Light SRL reserves the right to change the information contained in this document at any time without prior notice being given.