
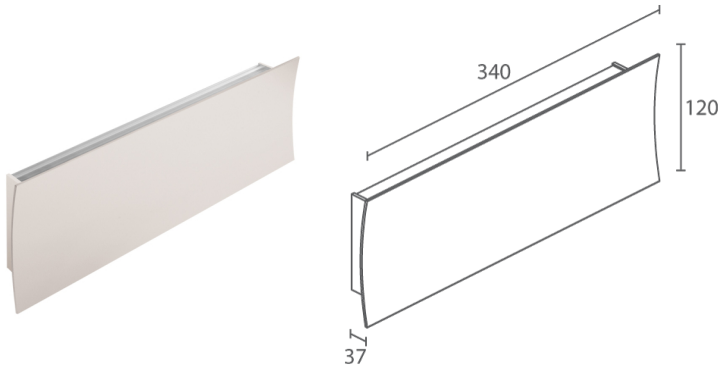


Made in Italy

 **Berica IN 3.1, code: BB31101D005LW8**
Wall mounted for indoor applications

17/07/2024 Rev. 50



DESCRIPTION

wall mounted for indoor applications, double beam; surface mounted (ceiling, wall); Power consumption: 27W; Power supply: 230Vac; Lumen output at source: 3280 lm (3000K); Delivered lumen output: 2728 lm (3000K, diffuse optics); 64 mid-power LEDs, 3-step MacAdam, 50 000h L80 B10 (Ta 25°C); LED colour: 3000K; Optics: 45°x96°: optical system consisting of a high-efficiency PMMA linear lens made by an extrusion process; CRI Colour Rendering Index: >90; Body material: body and concave cover made of low-copper-content ANTICORODAL® EN AW 6060 T5 aluminium alloy for excellent resistance to corrosion. Body and concave cover made by an extrusion process and subsequently finished by CNC milling. Caps made of polycarbonate through a moulding process and designed so they follow the curved profile of the front panel; Finishes: body painted white (RAL 9003), cover and end caps painted with primer, which enables the fixture to be finished with paints such as two-pack polyurethane varnishes and two-pack acrylic paints suitable for masonry surfaces; RAL finish on request; built-in power supply unit; Control system: PUSH, DALI; Ingress protection: IP40; non-standard lengths available on request, single-beam version available on request, Casambi-compatible version, controllable with the Casambi app, available on request; The paints that can be used on primed lighting fixtures are the same ones that are suitable for use on masonry surfaces, i.e: two-pack polyurethane varnishes, two-pack acrylic paints; Operating temperature: 0°C — +45°C; Glow wire test: 650°; Photobiological safety: in accordance with IEC TR 62778:2014; Appliance class: class II; Weight: 900 g; Dimensions: 340x120x37 mm; Energy efficiency class: F (light source) in accordance with EU 2019/2015; tested and approved via E.O.L. (End Of Line) test with functioning test and check of electrical power consumption

Status: Available

ELECTRICAL CHARACTERISTICS

Power consumption	27W
Power supply	230Vac
Power supply unit	built-in power supply unit
Control system	PUSH, DALI

LIGHTING CHARACTERISTICS

Number and type of LED	64 mid-power LEDs
Average LED life	50 000h L80 B10 (Ta 25°C)
LED colour	3000K
CRI Colour Rendering Index	>90
Binning	3-step MacAdam
Optics	45°x96°
Lumen output at source	3280 lm (3000K)
Delivered lumen output	2728 lm (3000K, diffuse optics)

MECHANICAL CHARACTERISTICS

Dimensions	340x120x37 mm
Weight	900 g
Finishes	primer
Mounting	with screws and plugs
Body material	body and cover in anticorrosive aluminium

GENERAL CHARACTERISTICS

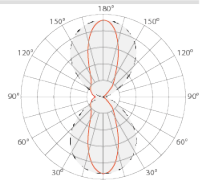
Ingress protection	IP40
Operating temperature	0°C — +45°C
Energy efficiency class	F (light source) in accordance with EU 2019/2015
Glow wire test	650°
Appliance class	class II
Walkover	no
Drive-over	no
Photobiological safety	in accordance with IEC TR 62778:2014

Notes	non-standard lengths available on request, single-beam version available on request, Casambi-compatible version, controllable with the Casambi app, available on request; The paints that can be used on primed lighting fixtures are the same ones that are suitable for use on masonry surfaces, i.e: two-pack polyurethane varnishes, two-pack acrylic paints
-------	--

PHOTOMETRIC DATA

LW – 45°x96°

H (m)	Ø (m)	Ø (m)	Lux max (3000K)	cd/Klm max 670	C0 - C180	
					—	—
0.50	0.41	1.10	4366			
1.00	0.83	2.21	1092			
1.50	1.24	3.31	485			
2.00	1.65	4.42	273			
2.50	2.07	5.52	175			
3.00	2.48	6.63	121			



45°x96°

L&L Luce&Light SRL reserves the right to change the information contained in this document at any time without prior notice being given.