
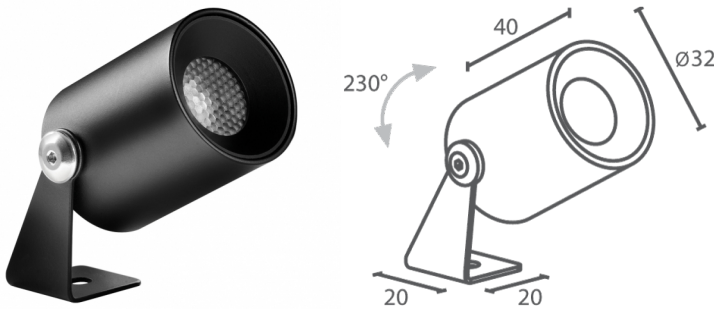


Made in Italy

 Gem 2.1, code: GE2120100050LN
Projectors for indoor applications

30/06/2024 Rev. 33



DESCRIPTION

projector for indoor applications; surface mounted (ceiling, wall, shelf, shop window); Power consumption: max 4,5W; Power supply: max 350mA; Lumen output at source: 452 lm (3000K, 350mA); Delivered lumen output: 280 lm (3000K, 350mA, 23°); 1 power LED High Intensity, 3-step MacAdam, 50 000h L90 B10 (Ta 25°C); LED colour: 3000K; Optics: 42°: optical system consisting of a high-efficiency TIR lens combined with a high-quality technical filter; CRI Colour Rendering Index: >90; Body material: body made of ANTICORODAL 6026 low-copper-content aluminium alloy for excellent resistance to corrosion, made entirely on a CNC lathe. Bracket made of tumble-finished, painted aluminium 5754; Finishes: body and bracket painted black (RAL 9005); RAL finish on request; power supply unit not included; Wiring: series; includes 1.50 m PVC cable HT105° 2x0,20 Ø3,0 mm; Control system: dimming via dimmable driver; Ingress protection: IP40; Casambi control using the Casambi app with dedicated electronics; Protection systems: The PID (Protective Impedance Device) protects lighting fixtures from electrical phenomena external to the system, such as static electricity accumulation or electromagnetic interference coming from the mains power. Generally, these are events with a low energy content; Operating temperature: 0°C — +45°C; Photobiological safety: in accordance with IEC TR 62778:2014; Appliance class: class III; Weight: 73 g; Dimensions: Ø32x40 mm; Energy efficiency class: F (light source) in accordance with EU 2019/2015; Accessories: WF4000 PVC cable HT105° 2x0.20 Ø3.0 mm, black; tested and approved via E.O.L. (End Of Line) test with functioning test and check of electrical power consumption

Status: Available

ELECTRICAL CHARACTERISTICS

Power consumption	max 4,5W
Power supply	max 350mA
Power supply unit	power supply unit not included
Control system	dimming via dimmable driver
Wiring	series

LIGHTING CHARACTERISTICS

Number and type of LED	1 power LED High Intensity
Average LED life	50 000h L90 B10 (Ta 25°C)
LED colour	3000K
CRI Colour Rendering Index	>90
Binning	3-step MacAdam
Optics	42°
Lumen output at source	452 lm (3000K, 350mA)
Delivered lumen output	280 lm (3000K, 350mA, 23°)

MECHANICAL CHARACTERISTICS

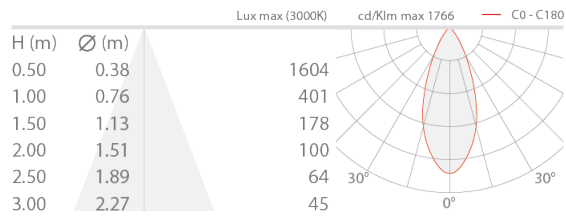
Dimensions	Ø32x40 mm
Weight	73 g
Finishes	black RAL 9005
Mounting	with bracket, screws and plugs
Body material	body in anticorodal aluminium, bracket in aluminium

GENERAL CHARACTERISTICS

Operating temperature	0°C — +45°C
Ingress protection	IP40
Energy efficiency class	F (light source) in accordance with EU 2019/2015
Appliance class	class III
Walkover	no
Drive-over	no
Power cables	includes 1.50 m PVC cable HT105° 2x0,20 Ø3,0 mm
Protection systems	PID (Protective Impedance Device)
Photobiological safety	in accordance with IEC TR 62778:2014
Notes	Casambi control using the Casambi app with dedicated electronics

PHOTOMETRIC DATA

L - 42°



ACCESSORIES

Other

WF4000

PVC cable HT105° 2x0.20 Ø3.0 mm, black

your choice of length

Order together with the lighting fixture

L&L Luce&Light SRL reserves the right to change the information contained in this document at any time without prior notice being given.