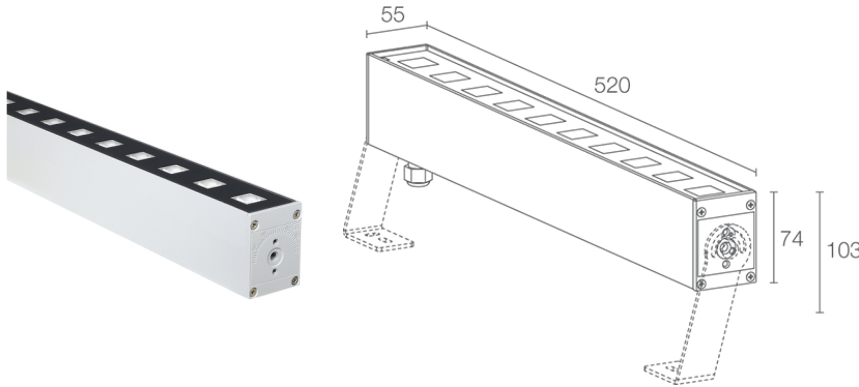
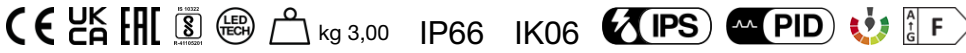


Made in Italy

River Wall 1.0, code: RW10109SF
Linear profiles for outdoor applications

22/11/2024 Rev. 31



DESCRIPTION

linear profile for outdoor applications; surface mounted (ceiling, wall, floor) with brackets; Power consumption: 20W; Power supply: 230Vac; Lumen output at source: 1450 lm (3000K); Delivered lumen output: 1050 lm (3000K, 30°); 10 power LEDs, 1/4 ANSI BIN, 50 000h L90 B10 (Ta 25°C); LED colour: 4000K; Optics: 11°; CRI Colour Rendering Index: 80; Body material: body in anodized aluminium; Finishes: grey (RAL 9006); RAL finish on request; Screen material: screen in tempered, transparent glass; built-in power supply unit; includes 1.5 m neoprene cable H07RN-F 3x1.0 Ø9.3 mm; Ingress protection: IP66; Impact resistance: IK06; DALI and 0/1-10V versions, and in/out connection, available on request, Casambi-compatible version, controllable with the Casambi app, available on request; Protection systems: IPS (Intelligent Protection System) protects lighting fixtures from water infiltrations, which can occur if there are faulty junctions between the cables in outdoor or underwater applications. This innovation, patented by L&L, also guarantees electrical protection against polarity reversal, hot plugging, ESD and power surges, which can occur if there are faults in the electrical circuit; The PID (Protective Impedance Device) protects lighting fixtures from electrical phenomena external to the system, such as static electricity accumulation or electromagnetic interference coming from the mains power. Generally, these are events with a low energy content; Operating temperature: -20°C — +45°C; Maximum device temperature: 45°C (Ta 25°C); Glow wire test: 960°; Photobiological safety: photobiological safety: risk group 1 according to EN 62471:2006; Appliance class: class I; Weight: 3000 g; Dimensions: 520x55x73 mm; Energy efficiency class: F (light source) in accordance with EU 2019/2015; Accessories: WM0811 Pair of brackets 125 mm, WM0812 Pair of brackets 275 mm; tested and approved via E.O.L. (End Of Line) test with functioning test and check of electrical power consumption

Status: Product being discontinued

ELECTRICAL CHARACTERISTICS

Power consumption	20W
Power supply	230Vac
Power supply unit	built-in power supply unit

LIGHTING CHARACTERISTICS

Number and type of LED	10 power LEDs
Average LED life	50 000h L90 B10 (Ta 25°C)
LED colour	4000K
CRI Colour Rendering Index	80
Binning	1/4 ANSI BIN
Optics	11°
Lumen output at source	1450 lm (3000K)
Delivered lumen output	1050 lm (3000K, 30°)

MECHANICAL CHARACTERISTICS

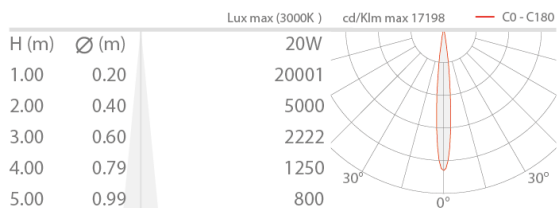
Dimensions	520x55x73 mm
Weight	3000 g
Finishes	grey RAL 9006
Mounting	with adjustable brackets and screws
Body material	body in anodized aluminium
Screen material	screen in transparent, tempered glass

GENERAL CHARACTERISTICS

Ingress protection	IP66
Operating temperature	-20°C — +45°C
Impact resistance	IK06
Energy efficiency class	F (light source) in accordance with EU 2019/2015
Glow wire test	960°
Maximum device temperature	45°C (Ta 25°C)
Appliance class	class I
Walkover	no
Drive-over	no
Power cables	includes 1.5 m neoprene cable H07RN-F 3x1.0 Ø9.3 mm
Protection systems	IPS (Intelligent Protection System); PID (Protective Impedance Device)
Photobiological safety	photobiological safety: risk group 1 according to EN 62471:2006
Notes	DALI and 0/1-10V versions, and in/out connection, available on request, Casambi-compatible version, controllable with the Casambi app, available on request

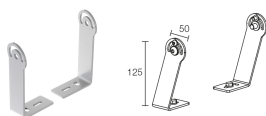
PHOTOMETRIC DATA

S - 11°

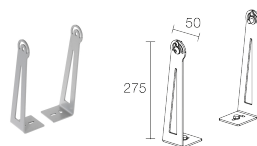


ACCESSORIES

Other



WM0811
Pair of brackets 125 mm



WM0812
Pair of brackets 275 mm

L&L Luce&Light SRL reserves the right to change the information contained in this document at any time without prior notice being given.