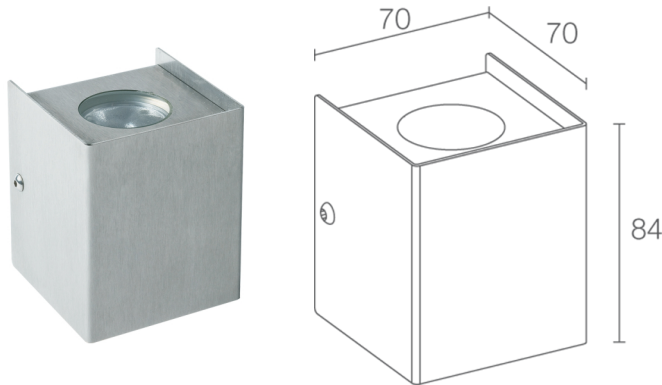


Made in Italy



Brom 3.0, code: BR300325SI
Wall mounted for outdoor applications

21/11/2024 Rev. 37



DESCRIPTION

wall mounted for outdoor applications, single beam; surface mounted (wall); Power consumption: max 6W; Power supply: max 500mA; Lumen output at source: 436 lm (3000K, 500mA); Delivered lumen output: 251 lm (3000K, 500mA, 20°); 3 power LEDs, 1/4 ANSI BIN, 50 000h L90 B10 (Ta 25°C); LED colour: 3000K; Optics: 12°; CRI Colour Rendering Index: 80; Body material: body and trim in AISI 316L stainless steel; RAL finish on request; Screen material: screen in tempered, transparent extra-clear glass; power supply unit not included; Wiring: series; includes 2x0.30 m single-core cables; Control system: dimming via dimmable driver; Ingress protection: IP66; Impact resistance: IK08; Casambi control using the Casambi app with dedicated electronics; Operating temperature: -20°C — +45°C; Glow wire test: 960°; Photobiological safety: photobiological safety: risk group 1 according to EN 62471:2006; Appliance class: class III; Weight: 450 g; Dimensions: 70x70x84 mm; Energy efficiency class: F (light source) in accordance with EU 2019/2015; tested and approved via E.O.L. (End Of Line) test with functioning test and check of electrical power consumption

Status: Available

ELECTRICAL CHARACTERISTICS

Power consumption	max 6W
Power supply	max 500mA
Power supply unit	power supply unit not included
Control system	dimming via dimmable driver
Wiring	series

LIGHTING CHARACTERISTICS

Number and type of LED	3 power LEDs
Average LED life	50 000h L90 B10 (Ta 25°C)
LED colour	3000K
CRI Colour Rendering Index	80
Binning	1/4 ANSI BIN
Optics	12°
Lumen output at source	436 lm (3000K, 500mA)
Delivered lumen output	251 lm (3000K, 500mA, 20°)

MECHANICAL CHARACTERISTICS

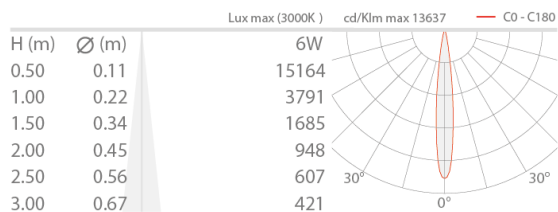
Dimensions	70x70x84 mm
Weight	450 g
Mounting	with screws and plugs
Body material	body and trim in AISI 316L stainless steel
Screen material	screen in transparent, tempered extra-clear glass

GENERAL CHARACTERISTICS

Ingress protection	IP66
Operating temperature	-20°C — +45°C
Impact resistance	IK08
Energy efficiency class	F (light source) in accordance with EU 2019/2015
Glow wire test	960°
Appliance class	class III
Walkover	no
Drive-over	no
Power cables	includes 2x0.30 m single-core cables
Photobiological safety	photobiological safety: risk group 1 according to EN 62471:2006
Notes	Casambi control using the Casambi app with dedicated electronics

PHOTOMETRIC DATA

S - 12°



L&L Luce&Light SRL reserves the right to change the information contained in this document at any time without prior notice being given.