
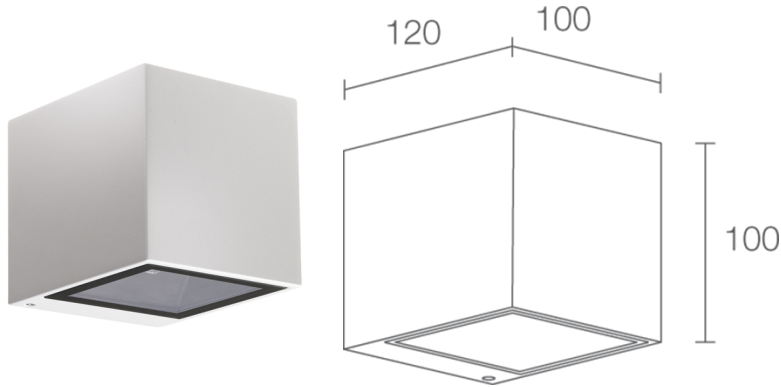
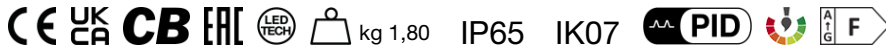


Made in Italy

 **Kocca 1.1, code: KA1111FWE**  
Wall mounted for outdoor applications

03/04/2025 Rev. 12/2024



## DESCRIPTION

wall mounted for outdoor applications, single beam; surface mounted (wall); Power consumption: 8,5W; Power supply: 230Vac; Lumen output at source: 657 lm (3000K, 8.5W); Delivered lumen output: 323 lm (3000K, 140° asymmetrical, 8.5W); 1 high-intensity power LED, 3-step MacAdam, 50 000h L90 B10 (Ta 25°C); LED colour: 2700K; Optics: asymmetrical 10°; CRI Colour Rendering Index: 80; Body material: body in die-cast aluminium; Finishes: white (RAL 9003); RAL finish on request; Screen material: screen in serigraphed, transparent and tempered extra-clear glass; built-in power supply unit; connection box with 0.50 m cable H05RN-F 2x0,75 Ø6,3 mm; Ingress protection: IP65; Impact resistance: IK07; Protection systems: The PID (Protective Impedance Device) protects lighting fixtures from electrical phenomena external to the system, such as static electricity accumulation or electromagnetic interference coming from the mains power. Generally, these are events with a low energy content; Operating temperature: -20°C – +45°C; Glow wire test: 960°C; Photobiological safety: photobiological safety: risk group 1 according to EN 62471:2006; Appliance class: class I; Weight: 1800 g; Dimensions: 100x100x120 mm; Energy efficiency class: F (light source) in accordance with EU 2019/2015; tested and approved via E.O.L. (End Of Line) test with functioning test and check of electrical power consumption

Status: Available

### ELECTRICAL CHARACTERISTICS

Power consumption	8,5W
Power supply	230Vac
Power supply unit	built-in power supply unit

### LIGHTING CHARACTERISTICS

Number and type of LED	1 high-intensity power LED
Average LED life	50 000h L90 B10 (Ta 25°C)
LED colour	2700K
CRI Colour Rendering Index	80
Binning	3-step MacAdam
Optics	asymmetrical 10°
Lumen output at source	657 lm (3000K, 8.5W)
Delivered lumen output	323 lm (3000K, 140° asymmetrical, 8.5W)

### MECHANICAL CHARACTERISTICS

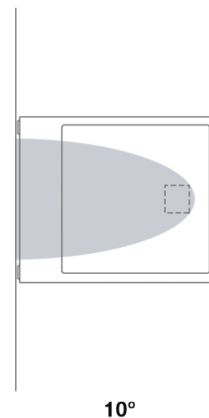
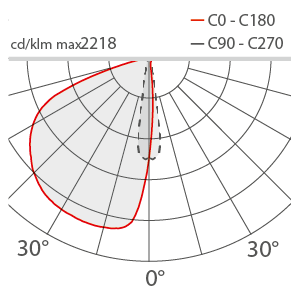
Dimensions	100x100x120 mm
Weight	1800 g
Finishes	white RAL 9003
Mounting	with mounting plate, screws and plugs
Body material	body in die-cast aluminium
Screen material	screen in serigraphed, transparent, tempered extra-clear glass

### GENERAL CHARACTERISTICS

Ingress protection	IP65
Operating temperature	-20°C — +45°C
Impact resistance	IK07
Energy efficiency class	F (light source) in accordance with EU 2019/2015
Glow wire test	960°C
Appliance class	class I
Walkover	no
Drive-over	no
Power cables	connection box with 0.50 m cable H05RN-F 2x0,75 Ø6,3 mm
Protection systems	PID (Protective Impedance Device)
Photobiological safety	photobiological safety: risk group 1 according to EN 62471:2006

PHOTOMETRIC DATA

W - Asymmetrical 10°



L&L Luce&Light SRL reserves the right to change the information contained in this document at any time without prior notice being given.