
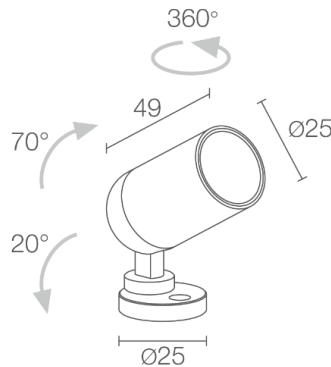


Made in Italy

 Pivot Mini 1, code: CP0101000050ST-1  
Projectors for outdoor applications

04/04/2025 Rev. 09/2024



## DESCRIPTION

projector for outdoor applications; surface mounted (ceiling, wall, floor); Power consumption: 3,5W; Power supply: 24Vdc; Lumen output at source: 260 lm (3000K, 3.5W, CRI 80); Delivered lumen output: 158 lm (3000K, 15°, 3.5W, CRI 80); 1 power LED, 2-step MacAdam, 60 000h L90 B10 (Ta 25°C); LED colour: 3000K; Optics: 15°: optical system consisting of a high-efficiency TIR lens; CRI Colour Rendering Index: 80; Body material: body made of ANTICORODAL EN AW 6082 low-copper-content aluminium alloy for excellent resistance to corrosion, made entirely on a CNC lathe; Finishes: cor-ten finish obtained through an initial treatment with a ceramic nanoparticle coating, to prepare for painting, followed by a coat of epoxy paint and one of polyester paint to provide corrosion resistance of more than 1000 hours of salt spray.; RAL finish on request; Screen material: 3-mm-thick transparent extra-clear glass with vitrified serigraphy, high transmittance to ensure chromatic uniformity of light and tempered for excellent resistance to knocks and scratches; Seals: The NBR nitrile rubber O-rings ensure the fixture's IP rating is preserved, guaranteeing continued protection; power supply unit not included; includes 5 m neoprene cable, H05RN-F 2x0,35/0,75 Ø6,3 mm; Ingress protection: IP66; Impact resistance: IK06; Casambi control using the Casambi app with dedicated electronics; Protection systems: IPS (Intelligent Protection System) protects lighting fixtures from water infiltrations, which can occur if there are faulty junctions between the cables in outdoor or underwater applications. This innovation, patented by L&L, also guarantees electrical protection against polarity reversal, hot plugging, ESD and power surges, which can occur if there are faults in the electrical circuit; The PID (Protective Impedance Device) protects lighting fixtures from electrical phenomena external to the system, such as static electricity accumulation or electromagnetic interference coming from the mains power. Generally, these are events with a low energy content; Operating temperature: -20°C — +45°C; Glow wire test: 960°C; Photobiological safety: photobiological safety: risk group 1 according to EN 62471:2006; Appliance class: class III; Weight: 135 g; Dimensions: Ø25x49 mm; Energy efficiency class: F (light source) in accordance with EU 2019/2015; Accessories: WBA02T Standard snoot - cor-ten, WBA03T Asymmetrical snoot - cor-ten; tested and approved via E.O.L. (End Of Line) test with functioning test and check of electrical power consumption

Status: Available

**ELECTRICAL CHARACTERISTICS**

Power consumption	3,5W
Power supply	24Vdc
Power supply unit	power supply unit not included

**LIGHTING CHARACTERISTICS**

Number and type of LED	1 power LED
Average LED life	60 000h L90 B10 (Ta 25°C)
LED colour	3000K
CRI Colour Rendering Index	80
Binning	2-step MacAdam
Optics	15°
Lumen output at source	260 lm (3000K, 3.5W, CRI 80)
Delivered lumen output	158 lm (3000K, 15°, 3.5W, CRI 80)

**MECHANICAL CHARACTERISTICS**

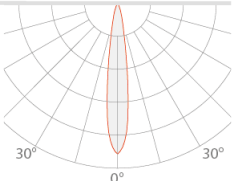
Dimensions	Ø25x49 mm
Weight	135 g
Finishes	cor-ten
Mounting	with screws and plugs
Body material	body in anticorodal aluminium
Screen material	screen in serigraphed, transparent, tempered extra-clear glass

**GENERAL CHARACTERISTICS**

Ingress protection	IP66
Operating temperature	-20°C — +45°C
Impact resistance	IK06
Energy efficiency class	F (light source) in accordance with EU 2019/2015
Glow wire test	960°C
Appliance class	class III
Walkover	no
Drive-over	no
Power cables	includes 5 m neoprene cable, H05RN-F 2x0,35/0,75 Ø6,3 mm
Protection systems	IPS (Intelligent Protection System); PID (Protective Impedance Device)
Photobiological safety	photobiological safety: risk group 1 according to EN 62471:2006
Notes	Casambi control using the Casambi app with dedicated electronics

## PHOTOMETRIC DATA

S – 15° CRI80

H (m)	Ø (m)	Lux max (3000K)		cd/Klm max 9136	— C0 - C180
		2.5W	3.5W		
1.00	0.27	1078	1443		
2.00	0.54	269	361		
3.00	0.80	120	160		
4.00	1.07	67	90		
5.00	1.34	43	58		

## ACCESSORIES

## Anti-glare



WBA02T

Standard snoot - cor-ten



WBA03T

Asymmetrical snoot - cor-ten

L&L Luce&Light SRL reserves the right to change the information contained in this document at any time without prior notice being given.