
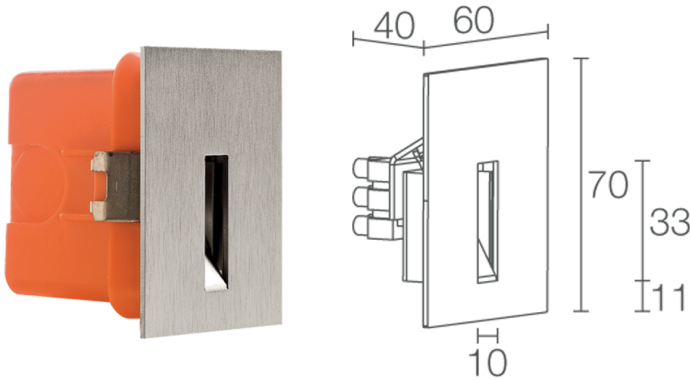


Made in Italy

 Line 1.0, code: FL12705DS
Step lights for indoor applications

31/03/2025 Rev. 08/2024



DESCRIPTION

step light for indoor applications; recessed (solid walls); Power consumption: max 2W; Power supply: max 500mA; Lumen output at source: 145 lm (3000K, 500mA); Delivered lumen output: 32 lm (3000K, 500mA); 1 power LED, 1/4 ANSI BIN, 50 000h L90 B10 (Ta 25°C); LED colour: 3000K; Optics: diffuse; CRI Colour Rendering Index: 80; Body material: body and cover in steel; Finishes: satin; RAL finish on request; power supply unit not included; Wiring: series; terminal block; Control system: dimming via dimmable driver; Ingress protection: IP20; Casambi control using the Casambi app with dedicated electronics; Operating temperature: 0°C – +45°C; Photobiological safety: photobiological safety: risk group 1 according to EN 62471:2006; Appliance class: class III; Weight: 160 g; Dimensions: 70x60x40 mm; Energy efficiency class: F (light source) in accordance with EU 2019/2015; Accessories: WC0300 Outer casing for solid walls; tested and approved via E.O.L. (End Of Line) test with functioning test and check of electrical power consumption

Status: Available

ELECTRICAL CHARACTERISTICS

Power consumption	max 2W
Power supply	max 500mA
Power supply unit	power supply unit not included
Control system	dimming via dimmable driver
Wiring	series

LIGHTING CHARACTERISTICS

Number and type of LED	1 power LED
Average LED life	50 000h L90 B10 (Ta 25°C)
LED colour	3000K
CRI Colour Rendering Index	80
Binning	1/4 ANSI BIN
Optics	diffuse
Lumen output at source	145 lm (3000K, 500mA)
Delivered lumen output	32 lm (3000K, 500mA)

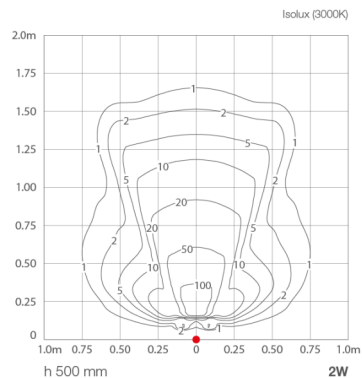
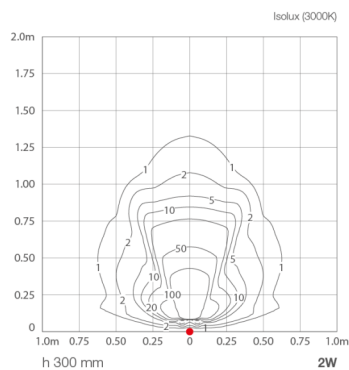
MECHANICAL CHARACTERISTICS

Dimensions	70x60x40 mm
Weight	160 g
Finishes	satin
Mounting	with outer casing
Body material	body and cover in steel

GENERAL CHARACTERISTICS

Ingress protection	IP20
Operating temperature	0°C — +45°C
Energy efficiency class	F (light source) in accordance with EU 2019/2015
Appliance class	class III
Walkover	no
Drive-over	no
Power cables	terminal block
Photobiological safety	photobiological safety: risk group 1 according to EN 62471:2006
Notes	Casambi control using the Casambi app with dedicated electronics

PHOTOMETRIC DATA



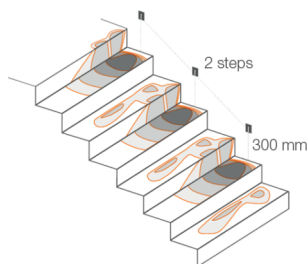
ACCESSORIES

Installation Accessories



WC0300

Outer casing for solid walls
Required outer casing not included



L&L Luce&Light SRL reserves the right to change the information contained in this document at any time without prior notice being given.