
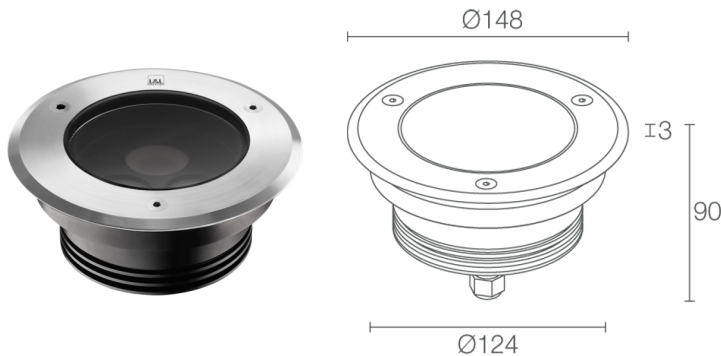


Made in Italy

 **Bright 5.H, code: CB5H00000070SI**
Recessed for outdoor applications

04/12/2024 Rev. 33



DESCRIPTION

recessed for outdoor applications (not suitable for use in immersion in swimming pools or fountains); drive-over up to 4000 kg; recessed (ceiling, wall, floor); Power consumption: 20W; Power supply: 24Vdc; Lumen output at source: 1021 lm, R: 146 lm G: 329 lm B: 117 lm W: 429 lm (4000K); Delivered lumen output: 656 lm, R: 101 lm G: 204 lm B: 75 lm W: 276 lm (4000K, 20°); 3 groups of 4 power LEDs, 50 000h L85 B10 (Ta 25°C); LED colour: RGBW; Optics: 20°: optical system made up of three groups, each consisting of 4 high-efficiency TIR microlenses combined with a high-quality technical filter; Body material: body made of ANTICORODAL 6082 aluminium alloy, made entirely on a CNC lathe and then electro-coloured black. Trim in AISI 316L stainless steel, made with a CNC lathe; Screen material: 10-mm-thick transparent extra-clear glass, high transmittance to ensure chromatic uniformity of light, serigraphed grey and tempered for excellent resistance to knocks and scratches; Seals: the silicone rubber gaskets guarantee maximum resistance to UV rays and unchanging mechanical characteristics over time; power supply unit not included; includes 1.50 m FEP+RUB cable (equivalent to H05RN-F) 6x0.50/0.50 Ø6.3 mm; Ingress protection: IP65, IP68, IP69; Impact resistance: IK10; Casambi control using the Casambi app with dedicated electronics; Protection systems: IPS (Intelligent Protection System) protects lighting fixtures from water infiltrations, which can occur if there are faulty junctions between the cables in outdoor or underwater applications. This innovation, patented by L&L, also guarantees electrical protection against polarity reversal, hot plugging, ESD and power surges, which can occur if there are faults in the electrical circuit; The PID (Protective Impedance Device) protects lighting fixtures from electrical phenomena external to the system, such as static electricity accumulation or electromagnetic interference coming from the mains power. Generally, these are events with a low energy content; This is an NTC thermistor mounted on the LED board to protect the lighting fixture against overheating. Should the product function at an operating temperature greater than the maximum temperature at which it can operate correctly, the protection is activated and gradually reduces the power. The NTC causes the integrated electronic parts to cool down to avoid the lighting fixture instantly switching itself off. When the operating temperature is again within normal range, the NTC automatically restores the lighting fixture's original operating conditions; Operating temperature: -20°C — +45°C; Maximum device temperature: 55°C (Ta 25°C); Glow wire test: 960°; Photobiological safety: photobiological safety: risk group 1 according to EN 62471:2006; Appliance class: class III; Weight: 1350 g; Dimensions: Ø148x90 mm; Cutout dimensions: Ø125 mm; Volume of thermal heatsink: Ø260x150 mm; Energy efficiency class: F (light source) in accordance with EU 2019/2015; Accessories: WC0501 Outer casing, WC0601 Outer casing, WC0701 Outer casing, WG0200 Retaining spring clip Ø130mm; tested and approved via E.O.L. (End Of Line) test with functioning test and check of electrical power consumption

Status: Available

ELECTRICAL CHARACTERISTICS

Power consumption	20W
Power supply	24Vdc
Power supply unit	power supply unit not included

LIGHTING CHARACTERISTICS

Number and type of LED	3 groups of 4 power LEDs
Average LED life	50 000h L85 B10 (Ta 25°C)
LED colour	RGBW
Optics	20°
Lumen output at source	1021 lm, R: 146 lm G: 329 lm B: 117 lm W: 429 lm (4000K)
Delivered lumen output	656 lm, R: 101 lm G: 204 lm B: 75 lm W: 276 lm (4000K, 20°)

MECHANICAL CHARACTERISTICS

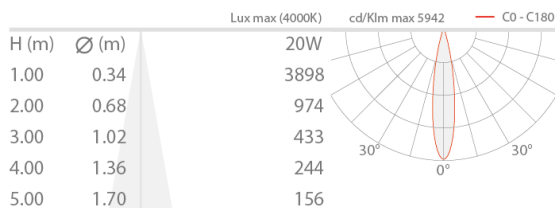
Dimensions	Ø148x90 mm
Weight	1350 g
Mounting	with outer casing
Body material	body in black-anodized anticorrosive aluminium, trim in AISI 316L stainless steel
Screen material	screen in serigraphed-grey and transparent, tempered extra-clear glass
Cutout dimensions	Ø125 mm
Volume of thermal heatsink	Ø260x150 mm

GENERAL CHARACTERISTICS

Ingress protection	IP65, IP68, IP69
Operating temperature	-20°C — +45°C
Impact resistance	IK10
Energy efficiency class	F (light source) in accordance with EU 2019/2015
Glow wire test	960°
Maximum device temperature	55°C (Ta 25°C)
Appliance class	class III
Walkover	yes
Drive-over	up to 4000 kg
Power cables	includes 1.50 m FEP+RUB cable (equivalent to H05RN-F) 6x0.50/0.50 Ø6.3 mm
Protection systems	IPS (Intelligent Protection System); PID (Protective Impedance Device); NTC (thermistor mounted on LED board)
Photobiological safety	photobiological safety: risk group 1 according to EN 62471:2006
Notes	Casambi control using the Casambi app with dedicated electronics

PHOTOMETRIC DATA

S - 20°



ACCESSORIES

Installation Accessories



WC0501
Outer casing



WC0601
Outer casing



WC0701
Outer casing



WG0200
Retaining spring clip Ø130mm

L&L Luce&Light SRL reserves the right to change the information contained in this document at any time without prior notice being given.