


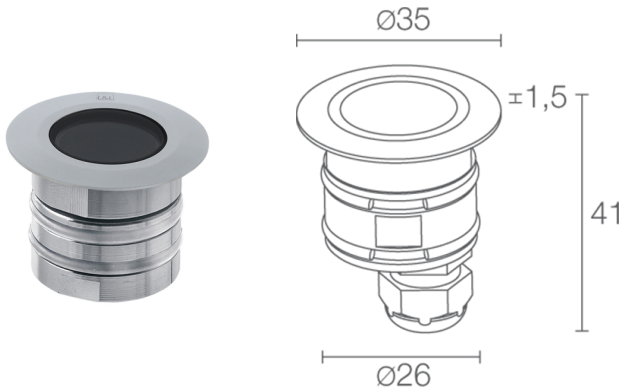
Made in Italy

 **Bright Mini 1.0, code: MB10000DI**
Recessed for outdoor applications

17/07/2024 Rev. 35



CASAMBI T max 45°C A
F



DESCRIPTION

recessed for outdoor applications (not suitable for use in immersion in swimming pools or fountains); walkover; recessed (ceiling, wall, floor), thickness: min 3 mm, max 30 mm; Power consumption: 1,2W; Power supply: 24Vdc; Lumen output at source: 23 lm (3000K, 12Vdc), 41 lm (3000K, 24Vdc); Delivered lumen output: 11 lm (3000K, 12Vdc), 20 lm (3000K, 24Vdc); 1 mid-power LED, 1/4 ANSI BIN, 50 000h L90 B10 (Ta 25°C); LED colour: 5000K; Optics: diffuse; CRI Colour Rendering Index: 80; Body material: body and trim in AISI 316L stainless steel; RAL finish on request; Screen material: screen in tempered, acid-etched glass; Thickness of installation surface: min 5 mm, max 25 mm; power supply unit not included; includes 1.50 m neoprene cable, 05RN-F 2x0.35 Ø4.3 mm; Ingress protection: IP65, IP68; Impact resistance: IK10; The lighting fixture can also be powered by 12Vdc (0.6W) and 12Vac (0.5W) Casambi control using the Casambi app with dedicated electronics; Protection systems: IPS (Intelligent Protection System) protects lighting fixtures from water infiltrations, which can occur if there are faulty junctions between the cables in outdoor or underwater applications. This innovation, patented by L&L, also guarantees electrical protection against polarity reversal, hot plugging, ESD and power surges, which can occur if there are faults in the electrical circuit; Operating temperature: -20°C — +45°C; Maximum device temperature: 45°C (Ta 25°C); Glow wire test: 960°; Photobiological safety: photobiological safety: risk group 1 according to EN 62471:2006; Appliance class: class III; Weight: 145 g; Dimensions: Ø35x41 mm; Cutout dimensions: Ø30 mm; Volume of thermal heatsink: Ø80x100 mm; Energy efficiency class: F (light source) in accordance with EU 2019/2015; Accessories: WC0202 Outer casing, WF0510 Neoprene cable 05RN-F 2x0,35 Ø4,3 mm, WG0302 Retaining spring clip Ø30mm; tested and approved via E.O.L. (End Of Line) test with functioning test and check of electrical power consumption

Status: Available

ELECTRICAL CHARACTERISTICS

Power consumption	1,2W
Power supply	24Vdc
Power supply unit	power supply unit not included

LIGHTING CHARACTERISTICS

Number and type of LED	1 mid-power LED
Average LED life	50 000h L90 B10 (Ta 25°C)
LED colour	5000K
CRI Colour Rendering Index	80
Binning	1/4 ANSI BIN
Optics	diffuse
Lumen output at source	23 lm (3000K, 12Vdc), 41 lm (3000K, 24Vdc)
Delivered lumen output	11 lm (3000K, 12Vdc), 20 lm (3000K, 24Vdc)

MECHANICAL CHARACTERISTICS

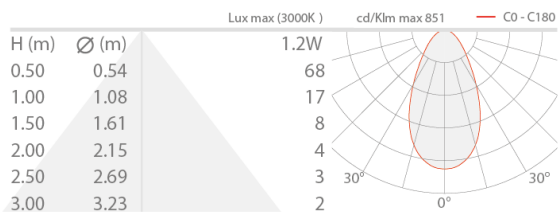
Dimensions	Ø35x41 mm
Weight	145 g
Mounting	with fixing springs or outer casing
Body material	body and trim in AISI 316L stainless steel
Screen material	screen in tempered, acid-etched glass
Cutout dimensions	Ø30 mm
Volume of thermal heatsink	Ø80x100 mm

GENERAL CHARACTERISTICS

Ingress protection	IP65, IP68
Operating temperature	-20°C — +45°C
Impact resistance	IK10
Energy efficiency class	F (light source) in accordance with EU 2019/2015
Glow wire test	960°
Maximum device temperature	45°C (Ta 25°C)
Appliance class	class III
Walkover	yes
Drive-over	no
Power cables	includes 1.50 m neoprene cable, 05RN-F 2x0.35 Ø4.3 mm
Protection systems	IPS (Intelligent Protection System)
Photobiological safety	photobiological safety: risk group 1 according to EN 62471:2006
Notes	The lighting fixture can also be powered by 12Vdc (0.6W) and 12Vac (0.5W) Casambi control using the Casambi app with dedicated electronics

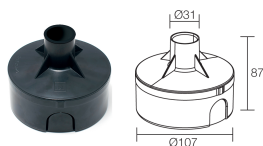
PHOTOMETRIC DATA

D – Diffuse



ACCESSORIES

Installation Accessories



WC0202
Outer casing



WG0302
Retaining spring clip Ø30mm

Other

WF0510

Neoprene cable 05RN-F 2x0,35 Ø4,3 mm
your choice of length
Order together with the lighting fixture

L&L Luce&Light SRL reserves the right to change the information contained in this document at any time without prior notice being given.