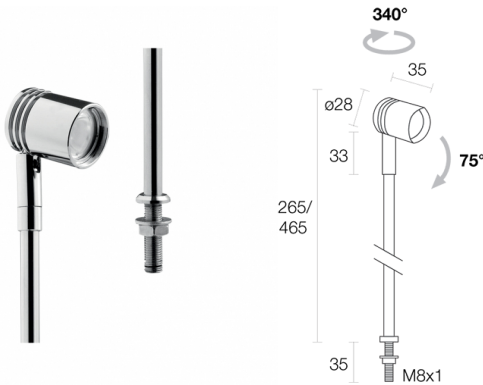
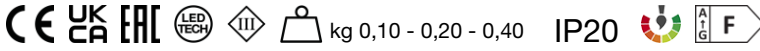


Made in Italy



Wall 7.0, code: PL7012205MC
Projectors for indoor applications

01/07/2024 Rev. 26



DESCRIPTION

projector for indoor applications; surface mounted (ceiling, wall, floor, shop windows); Power consumption: max 2W; Power supply: max 500mA; Lumen output at source: 145 lm (3000K, 500mA); Delivered lumen output: 103 lm (3000K, 500mA, 25°); 1 power LED, 1/4 ANSI BIN, 50 000h L90 B10 (Ta 25°C); LED colour: 3000K; Optics: 25°; CRI Colour Rendering Index: 80; Body material: body and pole in brass; Finishes: chrome; RAL finish on request; Screen material: screen in tempered, transparent extra-clear glass; Thickness of installation surface: min 5 mm, max 25 mm; Arm Length: 200 mm; power supply unit not included; Wiring: series; includes 0.50 m PVC cable FROR 2x0.35 Ø3.5 mm; Control system: dimming via dimmable driver; Ingress protection: IP20; available on request with non-standard pole height; Operating temperature: 0°C — +45°C; Photobiological safety: photobiological safety: risk group 1 according to EN 62471:2006; Appliance class: class III; Weight: 100 g; 200 g - 200 mm; 400 g - 400 mm; Dimensions: Ø28x35 mm; Energy efficiency class: F (light source) in accordance with EU 2019/2015; Accessories: WF0110 PVC cable FROR 2x0,35 Ø3,5 mm; tested and approved via E.O.L. (End Of Line) test with functioning test and check of electrical power consumption

Status: Product being discontinued

ELECTRICAL CHARACTERISTICS

Power consumption	max 2W
Power supply	max 500mA
Power supply unit	power supply unit not included
Control system	dimming via dimmable driver
Wiring	series

LIGHTING CHARACTERISTICS

Number and type of LED	1 power LED
Average LED life	50 000h L90 B10 (Ta 25°C)
LED colour	3000K
CRI Colour Rendering Index	80
Binning	1/4 ANSI BIN
Optics	25°
Lumen output at source	145 lm (3000K, 500mA)
Delivered lumen output	103 lm (3000K, 500mA, 25°)

MECHANICAL CHARACTERISTICS

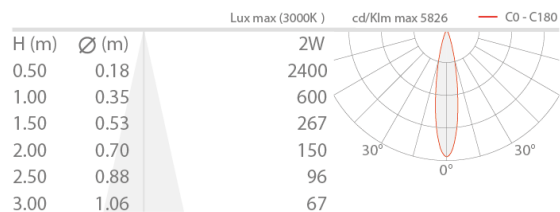
Dimensions	Ø28x35 mm
Weight	100 g; 200 g - 200 mm; 400 g - 400 mm
Finishes	chrome
Mounting	with M8x1 nut, Ø9 mm hole
Body material	body and pole in brass
Screen material	screen in transparent, tempered extra-clear glass

GENERAL CHARACTERISTICS

Ingress protection	IP20
Operating temperature	0°C — +45°C
Energy efficiency class	F (light source) in accordance with EU 2019/2015
Appliance class	class III
Walkover	no
Arm Length	200 mm
Drive-over	no
Power cables	includes 0.50 m PVC cable FROR 2x0.35 Ø3.5 m
Photobiological safety	photobiological safety: risk group 1 according to EN 62471:2006
Notes	available on request with non-standard pole height

PHOTOMETRIC DATA

M - 25°



ACCESSORIES

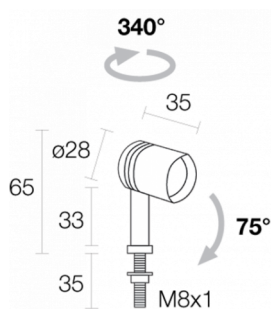
Other

WF0110

PVC cable FROR 2x0,35 Ø3,5 mm

your choice of length

Order together with the lighting fixture



L&L Luce&Light SRL reserves the right to change the information contained in this document at any time without prior notice being given.