
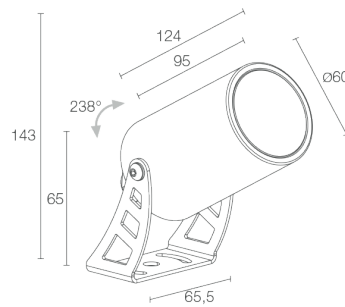


Made in Italy

 Spot 2.4, code: CF2410000050LE  
Projectors for outdoor applications



## DESCRIPTION

projector for outdoor applications; surface mounted (ceiling, wall, ground, spike, strap); Power consumption: 8W; Power supply: 230Vac; Lumen output at source: 586 lm (3000K); Delivered lumen output: 515 lm (3000K, 29°); 1 power LED High Intensity, 3-step MacAdam, 50 000h L85 B10 (Ta 25°C); LED colour: 3000K; Optics: 58°: optical system consisting of a high-efficiency TIR lens; CRI Colour Rendering Index: 80; Body material: body made of ANTICORODAL 6026 low-copper-content aluminium alloy for excellent resistance to corrosion, made on a CNC lathe. Bracket made of tumble-finished, painted aluminium 5754; Finishes: white finish obtained through an initial treatment with a ceramic nanoparticle coating, to prepare for painting, followed by a coat of epoxy paint and one of polyester paint to provide corrosion resistance of more than 1000 hours of salt spray (RAL 9003); RAL finish on request; Screen material: 4-mm-thick tempered, transparent extra-clear glass, with vitrified serigraphy, to ensure chromatic uniformity of light and excellent resistance to knocks and scratches; built-in power supply unit; includes 1.5 m neoprene cable H05RN-F 3x1,0 Ø7 mm; Ingress protection: IP66; Impact resistance: IK07; Protection systems: IPS (Intelligent Protection System) protects lighting fixtures from water infiltrations, which can occur if there are faulty junctions between the cables in outdoor or underwater applications. This innovation, patented by L&L, also guarantees electrical protection against polarity reversal, hot plugging, ESD and power surges, which can occur if there are faults in the electrical circuit; The PID (Protective Impedance Device) protects lighting fixtures from electrical phenomena external to the system, such as static electricity accumulation or electromagnetic interference coming from the mains power. Generally, these are events with a low energy content; Operating temperature: -20°C — +45°C; Glow wire test: 960°C; Photobiological safety: photobiological safety: risk group 1 according to EN 62471:2006; Appliance class: class I; Weight: 700 g; Dimensions: Ø60x124 mm; Energy efficiency class: F (light source) in accordance with EU 2019/2015; Accessories: WB1001E Standard snoot - white, WB1002E Asymmetrical snoot - white, WP0100 Spike for in-ground installation, WP1004 Fastener strap - 5 m, WP1006E Spike for in-ground installation - h 500 mm - white, WP1007E Spike for in-ground installation - h 800 mm - white; tested and approved via E.O.L. (End Of Line) test with functioning test and check of electrical power consumption

Status: Available

**ELECTRICAL CHARACTERISTICS**

Power consumption	8W
Power supply	230Vac
Power supply unit	built-in power supply unit

**LIGHTING CHARACTERISTICS**

Number and type of LED	1 power LED High Intensity
Average LED life	50 000h L85 B10 (Ta 25°C)
LED colour	3000K
CRI Colour Rendering Index	80
Binning	3-step MacAdam
Optics	58°
Lumen output at source	586 lm (3000K)
Delivered lumen output	515 lm (3000K, 29°)

**MECHANICAL CHARACTERISTICS**

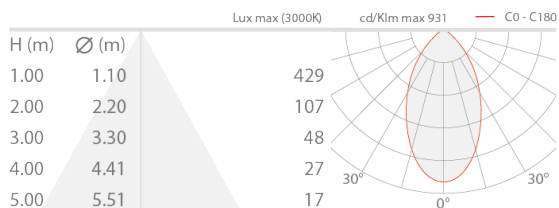
Dimensions	Ø60x124 mm
Weight	700 g
Finishes	white RAL 9003
Mounting	with bracket, screws and plugs
Body material	body in anticorodal aluminium, bracket in aluminium
Screen material	screen in serigraphed, tempered, transparent extra-clear glass

**GENERAL CHARACTERISTICS**

Ingress protection	IP66
Operating temperature	-20°C — +45°C
Impact resistance	IK07
Energy efficiency class	F (light source) in accordance with EU 2019/2015
Glow wire test	960°C
Appliance class	class I
Walkover	no
Drive-over	no
Power cables	includes 1.5 m neoprene cable H05RN-F 3x1,0 Ø7 mm
Protection systems	IPS (Intelligent Protection System); PID (Protective Impedance Device)
Photobiological safety	photobiological safety: risk group 1 according to EN 62471:2006

## PHOTOMETRIC DATA

L - 58°

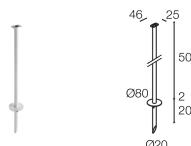


## ACCESSORIES

### Installation Accessories



**WP0100**  
Spike for in-ground installation



**WP1006E**  
Spike for in-ground installation - h 500 mm - white



**WP1007E**  
Spike for in-ground installation - h 800 mm - white

### Anti-glare



**WB1001E**  
Standard snoot - white



**WB1002E**  
Asymmetrical snoot - white

### Other



**WP1004**

Fastener strap - 5 m

L&L Luce&Light SRL reserves the right to change the information contained in this document at any time without prior notice being given.