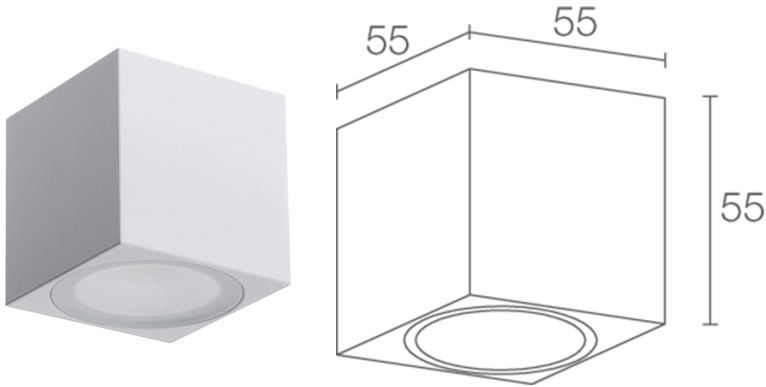
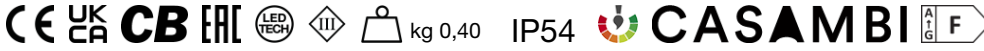


Made in Italy



Cube C 1.2, code: CU12325SE
Ceiling mounted for outdoor applications

21/11/2024 Rev. 34



DESCRIPTION

ceiling mounted for outdoor applications; surface mounted (ceiling); Power consumption: max 6W; Power supply: max 500mA; Lumen output at source: 410 lm (3000K, 500mA); Delivered lumen output: 337 lm (3000K, 500mA, 28°); 3 power LEDs, 1/4 ANSI BIN, 50 000h L90 B10 (Ta 25°C); LED colour: 3000K; Optics: 18°; CRI Colour Rendering Index: 80; Body material: body in anodized aluminium; Finishes: white (RAL 9003); RAL finish on request; Screen material: screen in frosted plexiglass; power supply unit not included; Wiring: series; includes 2x0.30 m single-core cables; Control system: dimming via dimmable driver; Ingress protection: IP54; Casambi control using the Casambi app with dedicated electronics; Operating temperature: -20°C — +45°C; Photobiological safety: photobiological safety: risk group 1 according to EN 62471:2006; Appliance class: class III; Weight: 400 g; Dimensions: 55x55x55 mm; Energy efficiency class: F (light source) in accordance with EU 2019/2015; tested and approved via E.O.L. (End Of Line) test with functioning test and check of electrical power consumption

Status: Available

ELECTRICAL CHARACTERISTICS

Power consumption	max 6W
Power supply	max 500mA
Power supply unit	power supply unit not included
Control system	dimming via dimmable driver
Wiring	series

LIGHTING CHARACTERISTICS

Number and type of LED	3 power LEDs
Average LED life	50 000h L90 B10 (Ta 25°C)
LED colour	3000K
CRI Colour Rendering Index	80
Binning	1/4 ANSI BIN
Optics	18°
Lumen output at source	410 lm (3000K, 500mA)
Delivered lumen output	337 lm (3000K, 500mA, 28°)

MECHANICAL CHARACTERISTICS

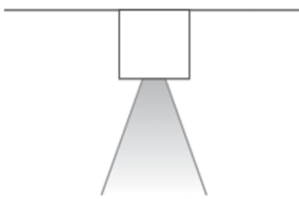
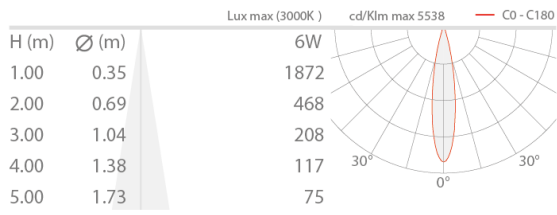
Dimensions	55x55x55 mm
Weight	400 g
Finishes	white RAL 9003
Mounting	with screws and plugs
Body material	body in anodized aluminium
Screen material	screen in frosted plexiglass

GENERAL CHARACTERISTICS

Ingress protection	IP54
Operating temperature	-20°C — +45°C
Energy efficiency class	F (light source) in accordance with EU 2019/2015
Appliance class	class III
Walkover	no
Drive-over	no
Power cables	includes 2x0.30 m single-core cables
Photobiological safety	photobiological safety: risk group 1 according to EN 62471:2006
Notes	Casambi control using the Casambi app with dedicated electronics

PHOTOMETRIC DATA

S - 18°



L&L Luce&Light SRL reserves the right to change the information contained in this document at any time without prior notice being given.