


Made in Italy

 **Simply 1.0, code: SM10115DP**
Step lights for indoor applications

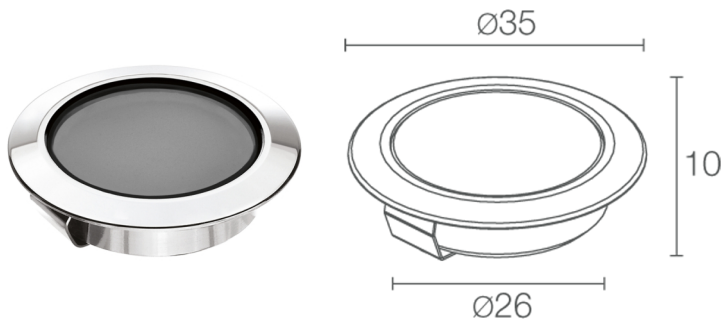
18/07/2024 Rev. 38







 kg 0,03
 
CASAMBI
 T max 40°C
 



DESCRIPTION

step light for indoor applications; walkover; recessed (ceiling, wall, floor); Power consumption: max 1W; Power supply: max 250mA; Lumen output at source: 75 lm (3000K, 250mA); Delivered lumen output: 37 lm (3000K, 250mA); 1 power LED, 1/4 ANSI BIN, 50 000h L95 B10 (Ta 25°C); LED colour: 3000K; Optics: diffuse; CRI Colour Rendering Index: 80; Body material: body and trim in anodized aluminium; Finishes: pearl chrome; Screen material: screen in opal polycarbonate; Thickness of installation surface: min 5 mm, max 25 mm; power supply unit not included; Wiring: series; includes 2x0.30 m single-core cables; Control system: dimming via dimmable driver; Ingress protection: IP44; Casambi control using the Casambi app with dedicated electronics; Operating temperature: 0°C — +45°C; Maximum device temperature: 40°C (Ta 25°C); Photobiological safety: photobiological safety: risk group 1 according to EN 62471:2006; Appliance class: class III; Weight: 30 g; Dimensions: Ø26x10 mm; Cutout dimensions: Ø28 mm; Volume of thermal heatsink: Ø40x10 mm; Energy efficiency class: F (light source) in accordance with EU 2019/2015; tested and approved via E.O.L. (End Of Line) test with functioning test and check of electrical power consumption

Status: Available

ELECTRICAL CHARACTERISTICS

Power consumption	max 1W
Power supply	max 250mA
Power supply unit	power supply unit not included
Control system	dimming via dimmable driver
Wiring	series

LIGHTING CHARACTERISTICS

Number and type of LED	1 power LED
Average LED life	50 000h L95 B10 (Ta 25°C)
LED colour	3000K
CRI Colour Rendering Index	80
Binning	1/4 ANSI BIN
Optics	diffuse
Lumen output at source	75 lm (3000K, 250mA)
Delivered lumen output	37 lm (3000K, 250mA)

MECHANICAL CHARACTERISTICS

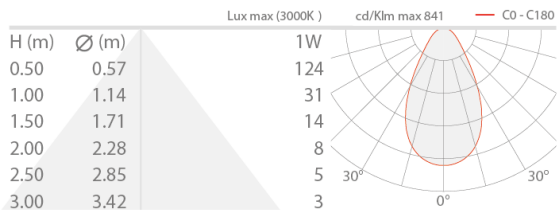
Dimensions	Ø26x10 mm
Weight	30 g
Finishes	pearl chrome
Mounting	with fixing springs
Body material	body and trim in anodized aluminium
Screen material	screen in opal polycarbonate
Cutout dimensions	Ø28 mm
Volume of thermal heatsink	Ø40x10 mm

GENERAL CHARACTERISTICS

Ingress protection	IP44
Operating temperature	0°C — +45°C
Energy efficiency class	F (light source) in accordance with EU 2019/2015
Maximum device temperature	40°C (Ta 25°C)
Appliance class	class III
Walkover	yes
Drive-over	no
Power cables	includes 2x0.30 m single-core cables
Photobiological safety	photobiological safety: risk group 1 according to EN 62471:2006
Notes	Casambi control using the Casambi app with dedicated electronics

PHOTOMETRIC DATA

D – Diffuse



L&L Luce&Light SRL reserves the right to change the information contained in this document at any time without prior notice being given.