
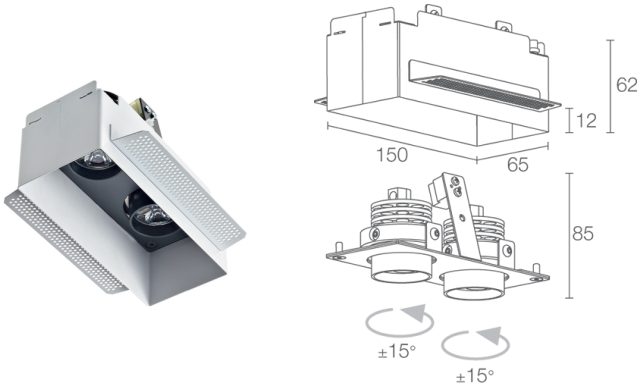
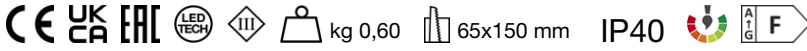


Made in Italy

 Quad 6.2, code: QD62625LB  
Recessed for indoor applications

17/07/2024 Rev. 31



## DESCRIPTION

recessed downlight for indoor applications; recessed (ceiling); Power consumption: max 12W; Power supply: max 500mA; Lumen output at source: 872 lm (3000K, 500mA); Delivered lumen output: 672 lm (3000K, 500mA, 24°); 6 power LEDs, 1/4 ANSI BIN, 50 000h L90 B10 (Ta 25°C); LED colour: 3000K; Optics: 56° tiltable  $\pm 15^\circ$ ; CRI Colour Rendering Index: 80; Body material: body in anodized aluminium, trim in steel; Finishes: white (RAL 9003); RAL finish on request; Thickness of installation surface: min 5 mm, max 25 mm; power supply unit not included; Wiring: series; terminal block; Control system: dimming via dimmable driver; Ingress protection: IP40; Casambi-compatible version, controllable with the Casambi app, available on request; Operating temperature: 0°C — +45°C; Photobiological safety: photobiological safety: risk group 1 according to EN 62471:2006; Appliance class: class III; Weight: 600 g; Dimensions: 65x150x125 mm; Cutout dimensions: 65x150 mm; Volume of thermal heatsink: 165x250x150 mm; Energy efficiency class: F (light source) in accordance with EU 2019/2015; Accessories: WC2002 Outer casing for plasterboard; tested and approved via E.O.L. (End Of Line) test with functioning test and check of electrical power consumption

Status: Available

### ELECTRICAL CHARACTERISTICS

|                   |                                |
|-------------------|--------------------------------|
| Power consumption | max 12W                        |
| Power supply      | max 500mA                      |
| Power supply unit | power supply unit not included |
| Control system    | dimming via dimmable driver    |
| Wiring            | series                         |

### LIGHTING CHARACTERISTICS

|                            |                            |
|----------------------------|----------------------------|
| Number and type of LED     | 6 power LEDs               |
| Average LED life           | 50 000h L90 B10 (Ta 25°C)  |
| LED colour                 | 3000K                      |
| CRI Colour Rendering Index | 80                         |
| Binning                    | 1/4 ANSI BIN               |
| Optics                     | 56° tiltable ±15°          |
| Lumen output at source     | 872 lm (3000K, 500mA)      |
| Delivered lumen output     | 672 lm (3000K, 500mA, 24°) |

### MECHANICAL CHARACTERISTICS

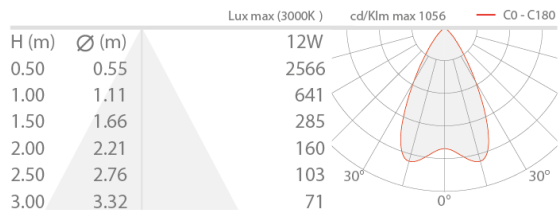
|                            |   |
|----------------------------|---|
| Dimensions                 | 65x150x125 mm                             |
| Weight                     | 600 g                                     |
| Finishes                   | white RAL 9003                            |
| Mounting                   | with fixing springs or outer casing       |
| Body material              | body in anodized aluminium, trim in steel |
| Cutout dimensions          | 65x150 mm                                 |
| Volume of thermal heatsink | 165x250x150 mm                            |

### GENERAL CHARACTERISTICS

|                         |   |
|-------------------------|---|
| Ingress protection      | IP40  |
| Operating temperature   | 0°C — +45°C   |
| Energy efficiency class | F (light source) in accordance with EU 2019/2015                                    |
| Appliance class         | class III   |
| Walkover                | no  |
| Drive-over              | no  |
| Power cables            | terminal block  |
| Photobiological safety  | photobiological safety: risk group 1 according to EN 62471:2006                     |
| Notes                   | Casambi-compatible version, controllable with the Casambi app, available on request |

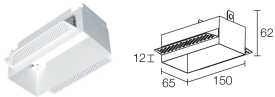
## PHOTOMETRIC DATA

L - 56°



## ACCESSORIES

## Installation Accessories



## WC2002

Outer casing for plasterboard

Required outer casing not included

L&L Luce&Light SRL reserves the right to change the information contained in this document at any time without prior notice being given.