
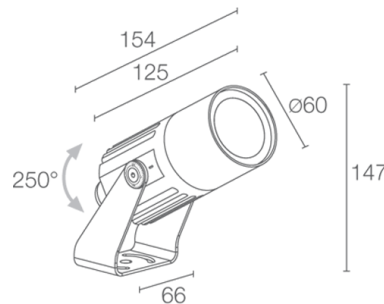


Made in Italy

 Flori 1.2, code: FS12007LT
Projectors for outdoor applications

17/07/2024 Rev. 26



DESCRIPTION

projector for outdoor applications; surface mounted (ceiling, wall, ground, spike, strap); Power consumption: 13W; Power supply: 24Vdc; Lumen output at source: 512 lm R: 88 lm G: 160 lm B: 52 lm W: 212 lm (4000K); Delivered lumen output: 304 lm R: 52 lm G: 95 lm B: 31 lm W: 126 lm (4000K, 33°); 1 RGBW LED group, 50 000h L85 B10 (Ta 25°C); LED colour: RGBW; Optics: 60°: optical system consisting of a high-efficiency TIR lens combined with a high-quality technical filter; Body material: body made of ANTICORODAL 6082 low-copper-content aluminium alloy for excellent resistance to corrosion, made entirely on a CNC lathe. Bracket in painted AISI 316L stainless steel; Finishes: cor-ten finish obtained through an initial treatment with a ceramic nanoparticle coating, to prepare for painting, followed by a coat of epoxy paint and one of polyester paint to provide corrosion resistance of more than 1500 hours of salt spray. Paints compliant with the Qualicoat standard used in the automotive sector; RAL finish on request; Screen material: 4-mm-thick transparent extra-clear glass with vitrified serigraphy, high transmittance to ensure chromatic uniformity of light and tempered for excellent resistance to knocks and scratches; power supply unit not included; includes 1.5 m FEP+RUB cable (equivalent to H05RN-F) 6x0.50/0.50 Ø6.3 mm; Ingress protection: IP66; Impact resistance: IK07; Casambi-compatible version, controllable with the Casambi app, available on request, Casambi-compatible version, controllable with the Casambi app, available on request; Protection systems: IPS (Intelligent Protection System) protects lighting fixtures from water infiltrations, which can occur if there are faulty junctions between the cables in outdoor or underwater applications. This innovation, patented by L&L, also guarantees electrical protection against polarity reversal, hot plugging, ESD and power surges, which can occur if there are faults in the electrical circuit; The PID (Protective Impedance Device) protects lighting fixtures from electrical phenomena external to the system, such as static electricity accumulation or electromagnetic interference coming from the mains power. Generally, these are events with a low energy content; Operating temperature: -20°C — +45°C; Glow wire test: 960°; Photobiological safety: photobiological safety: risk group 1 according to EN 62471:2006; Appliance class: class III; Weight: 800 g; Dimensions: Ø60x154x147 mm; Energy efficiency class: F (light source) in accordance with EU 2019/2015; Accessories: WB1001T Standard snoot - cor-ten, WB1002T Asymmetrical snoot - cor-ten, WB1003N Barn doors - black, WH0203 Honeycomb louvre, WP0100 Spike for in-ground installation, WP1001T Spike with bracket for in-ground installation - h 500 mm - cor-ten, WP1002T Spike with bracket for in-ground installation - h 800 mm - cor-ten, WP1003T Arm with bracket for wall-mounted installation - h 420 mm - cor-ten, WP1004 Fastener strap - 5 m; tested and approved via E.O.L. (End Of Line) test with functioning test and check of electrical power consumption

Status: Available

ELECTRICAL CHARACTERISTICS

Power consumption	13W
Power supply	24Vdc
Power supply unit	power supply unit not included

LIGHTING CHARACTERISTICS

Number and type of LED	1 RGBW LED group
Average LED life	50 000h L85 B10 (Ta 25°C)
LED colour	RGBW
Optics	60°
Lumen output at source	512 lm, R: 88 lm G: 160 lm B: 52 lm W: 212 lm (4000K)
Delivered lumen output	304 lm, R: 52 lm G: 95 lm B: 31 lm W: 126 lm (4000K, 33°)

MECHANICAL CHARACTERISTICS

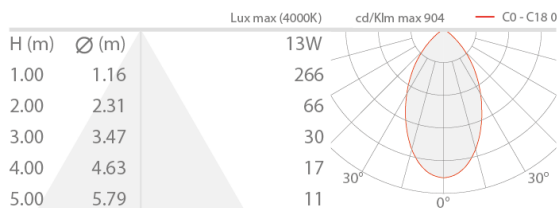
Dimensions	Ø60x154x147 mm
Weight	800 g
Finishes	cor-ten
Mounting	with bracket, screws and plugs
Body material	body in aluminium
Screen material	screen in serigraphed, transparent, tempered extra-clear glass

GENERAL CHARACTERISTICS

Ingress protection	IP66
Operating temperature	-20°C — +45°C
Impact resistance	IK07
Energy efficiency class	F (light source) in accordance with EU 2019/2015
Glow wire test	960°
Appliance class	class III
Walkover	no
Drive-over	no
Power cables	includes 1.5 m FEP+RUB cable (equivalent to H05RN-F) 6x0.50/0.50 Ø6.3 mm
Protection systems	IPS (Intelligent Protection System); PID (Protective Impedance Device)
Photobiological safety	photobiological safety: risk group 1 according to EN 62471:2006
Notes	Casambi-compatible version, controllable with the Casambi app, available on request, Casambi-compatible version, controllable with the Casambi app, available on request

PHOTOMETRIC DATA

L - 60°

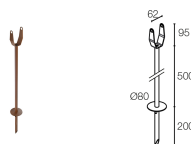


ACCESSORIES

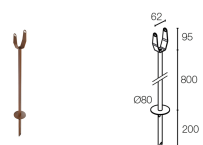
Installation Accessories



WP0100
Spike for in-ground installation



WP1001T
Spike with bracket for in-ground installation - h 500 mm - cor-ten



WP1002T
Spike with bracket for in-ground installation - h 800 mm - cor-ten



WP1003T
Arm with bracket for wall-mounted installation - h 420 mm - cor-ten

Anti-glare



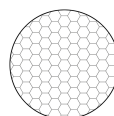
WB1001T
Standard snoot - cor-ten



WB1002T
Asymmetrical snoot - cor-ten



WB1003N



WH0203

Barn doors - black

Honeycomb louvre
built into the lighting fixture
Order together with the lighting fixture

Other



WP1004

Fastener strap - 5 m

L&L Luce&Light SRL reserves the right to change the information contained in this document at any time without prior notice being given.