


Made in Italy

 Smoothy 1.6, code: SY160119LI-3  
Recessed for outdoor applications

05/03/2025 Rev. 12/2024







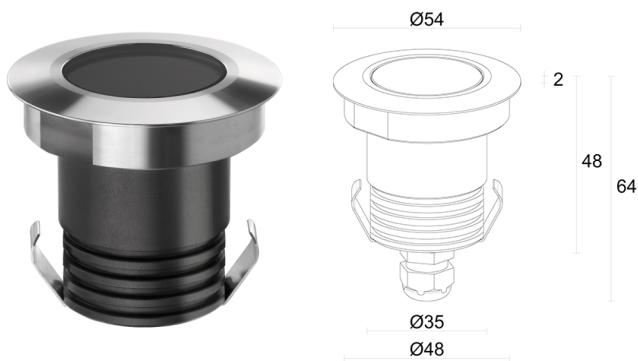
 on request
 



 IP65 IP67 IK08







## DESCRIPTION

recessed for outdoor applications; drive-over up to 1000 kg; recessed (ceiling, wall, floor); Power consumption: 3,5W; Power supply: 24Vdc; Lumen output at source: 196 lm (3000K, 3,5W, CRI >90); Delivered lumen output: 165 lm (3000K, 22°, 3,5W, CRI >90); 1 power LED, 1/4 ANSI BIN, 55 000h L90 B10 (Ta 25°C); LED colour: 4000K; Optics: 48°: optical system consisting of a high-efficiency TIR lens; CRI Colour Rendering Index: >90; Body material: body made of ANTICORODAL 6082 aluminium alloy, made entirely on a CNC lathe and then electro-coloured black. Trim in AISI 316L stainless steel, made with a CNC lathe; Finishes: stainless steel; RAL finish on request; Screen material: 4-mm-thick transparent extra-clear glass, high transmittance to ensure chromatic uniformity of light and tempered for excellent resistance to knocks and scratches; Seals: the silicone rubber gaskets guarantee maximum resistance to UV rays and unchanging mechanical characteristics over time; Thickness of installation surface: min 0 mm, max 25 mm; power supply unit not included; includes 15 m neoprene cable H05RN-F 2x0.75/0.75 Ø6.3 mm; Ingress protection: IP65, IP67; Impact resistance: IK08; Casambi control using the Casambi app with dedicated electronics; Protection systems: IPS (Intelligent Protection System) protects lighting fixtures from water infiltrations, which can occur if there are faulty junctions between the cables in outdoor or underwater applications. This innovation, patented by L&L, also guarantees electrical protection against polarity reversal, hot plugging, ESD and power surges, which can occur if there are faults in the electrical circuit; Operating temperature: -20°C — +45°C; Maximum device temperature: 50°C (Ta 25°C); Glow wire test: 960°C; Photobiological safety: photobiological safety: risk group 1 according to EN 62471:2006; Appliance class: class III; Weight: 250 g; Dimensions: Ø54x64 mm; Cutout dimensions: Ø48 mm; Volume of thermal heatsink: Ø180x110 mm; Energy efficiency class: F (light source) in accordance with EU 2019/2015; Accessories: WC4010 Outer casing, WG0501 Retaining spring clip Ø48mm, WH0100 Honeycomb louvre, WL0100 Suction cup; tested and approved via E.O.L. (End Of Line) test with functioning test and check of electrical power consumption

Status: Available

### ELECTRICAL CHARACTERISTICS

Power consumption	3,5W
Power supply	24Vdc
Power supply unit	power supply unit not included

### LIGHTING CHARACTERISTICS

Number and type of LED	1 power LED
Average LED life	55 000h L90 B10 (Ta 25°C)
LED colour	4000K
CRI Colour Rendering Index	>90
Binning	1/4 ANSI BIN
Optics	48°
Lumen output at source	196 lm (3000K, 3.5W, CRI >90)
Delivered lumen output	165 lm (3000K, 22°, 3,5W, CRI >90)

### MECHANICAL CHARACTERISTICS

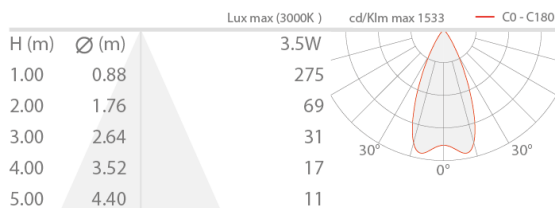
Dimensions	Ø54x64 mm
Weight	250 g
Finishes	stainless steel
Mounting	with fixing springs or outer casing
Body material	body in black-anodized anticorrosional aluminium, trim in AISI 316L stainless steel
Screen material	screen in tempered, transparent extra-clear glass
Cutout dimensions	Ø48 mm
Volume of thermal heatsink	Ø180x110 mm

### GENERAL CHARACTERISTICS

Ingress protection	IP65, IP67
Operating temperature	-20°C — +45°C
Impact resistance	IK08
Energy efficiency class	F (light source) in accordance with EU 2019/2015
Glow wire test	960°C
Maximum device temperature	50°C (Ta 25°C)
Appliance class	class III
Walkover	yes
Drive-over	up to 1000 kg
Power cables	includes 15 m neoprene cable H05RN-F 2x0.75/0.75 Ø6.3 mm
Protection systems	IPS (Intelligent Protection System)
Photobiological safety	photobiological safety: risk group 1 according to EN 62471:2006
Notes	Casambi control using the Casambi app with dedicated electronics

## PHOTOMETRIC DATA

L - 48° CRI 80



## ACCESSORIES

### Installation Accessories



**WC4010**  
Outer casing

**WG0501**  
Retaining spring clip Ø48mm

### Anti-glare



### WH0100

#### Honeycomb louvre

built into the lighting fixture

The honeycomb louvre can be fitted on all fixed optics except for the sharp and diffuse optics

Order together with the lighting fixture

### Other



### WL0100

#### Suction cup

Recommended accessory

L&L Luce&Light SRL reserves the right to change the information contained in this document at any time without prior notice being given.