
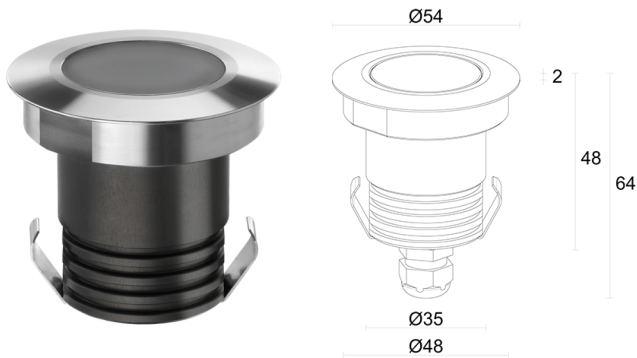
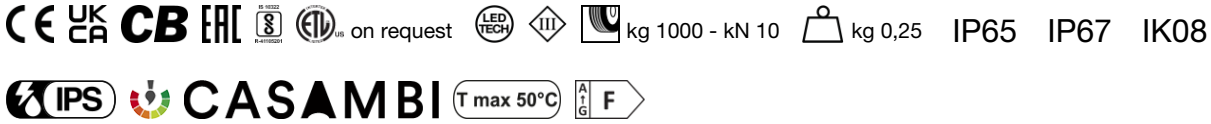


Made in Italy

 Smoothy 1.6, code: SY160005DI
Recessed for outdoor applications

17/08/2024 Rev. 46



DESCRIPTION

recessed for outdoor applications; drive-over up to 1000 kg; recessed (ceiling, wall, floor); Power consumption: 2.5W; Power supply: 24Vdc; Lumen output at source: 168 lm (3000K, 2.5W, CRI 80); Delivered lumen output: 141 lm (3000K, 22°, 2.5W, CRI 80); 1 power LED, 1/4 ANSI BIN, 55 000h L90 B10 (Ta 25°C); LED colour: 3000K; Optics: diffuse: optical system consisting of 4-mm-thick, transparent, tempered extra-clear glass seal, resistant to knocks and scratches, and with high transmittance to eliminate chromatic aberrations, combined with a technical filter in MCPET and a 3-mm-thick disc in PMMA with a satin surface on both sides; CRI Colour Rendering Index: 80; Body material: body made of ANTICORODAL 6082 aluminium alloy, made entirely on a CNC lathe and then electro-coloured black. Trim in AISI 316L stainless steel, made with a CNC lathe; Finishes: stainless steel; RAL finish on request; Screen material: 4-mm-thick transparent extra-clear glass, high transmittance to ensure chromatic uniformity of light and tempered for excellent resistance to knocks and scratches; Seals: the silicone rubber gaskets guarantee maximum resistance to UV rays and unchanging mechanical characteristics over time; Thickness of installation surface: min 0 mm, max 25 mm; power supply unit not included; includes 1.50 m neoprene cable H05RN-F 2x0.75/0.75 Ø6.3 mm; Ingress protection: IP65, IP67; Impact resistance: IK08; Casambi control using the Casambi app with dedicated electronics; Protection systems: IPS (Intelligent Protection System) protects lighting fixtures from water infiltrations, which can occur if there are faulty junctions between the cables in outdoor or underwater applications. This innovation, patented by L&L, also guarantees electrical protection against polarity reversal, hot plugging, ESD and power surges, which can occur if there are faults in the electrical circuit; Operating temperature: -20°C — +45°C; Maximum device temperature: 50°C (Ta 25°C); Glow wire test: 960°; Photobiological safety: photobiological safety: risk group 1 according to EN 62471:2006; Appliance class: class III; Weight: 250 g; Dimensions: Ø54x64 mm; Cutout dimensions: Ø48 mm; Volume of thermal heatsink: Ø180x110 mm; Energy efficiency class: F (light source) in accordance with EU 2019/2015; Accessories: WC4010 Outer casing, WG0501 Retaining spring clip Ø48mm, WL0100 Suction cup; tested and approved via E.O.L. (End Of Line) test with functioning test and check of electrical power consumption

Status: Available

ELECTRICAL CHARACTERISTICS

Power consumption	2,5W
Power supply	24Vdc
Power supply unit	power supply unit not included

LIGHTING CHARACTERISTICS

Number and type of LED	1 power LED
Average LED life	55 000h L90 B10 (Ta 25°C)
LED colour	3000K
CRI Colour Rendering Index	80
Binning	1/4 ANSI BIN
Optics	diffuse
Lumen output at source	168 lm (3000K, 2.5W, CRI 80)
Delivered lumen output	141 lm (3000K, 22°, 2.5W, CRI 80)

MECHANICAL CHARACTERISTICS

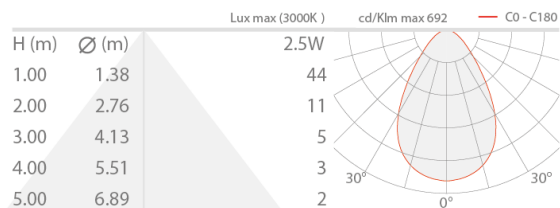
Dimensions	Ø54x64 mm
Weight	250 g
Finishes	stainless steel
Mounting	with fixing springs or outer casing
Body material	body in black-anodized anticorrosive aluminium, trim in AISI 316L stainless steel
Screen material	screen in tempered, transparent extra-clear glass
Cutout dimensions	Ø48 mm
Volume of thermal heatsink	Ø180x110 mm

GENERAL CHARACTERISTICS

Ingress protection	IP65, IP67
Operating temperature	-20°C — +45°C
Impact resistance	IK08
Energy efficiency class	F (light source) in accordance with EU 2019/2015
Glow wire test	960°
Maximum device temperature	50°C (Ta 25°C)
Appliance class	class III
Walkover	yes
Drive-over	up to 1000 kg
Power cables	includes 1.50 m neoprene cable H05RN-F 2x0.75/0.75 Ø6.3 mm
Protection systems	IPS (Intelligent Protection System)
Photobiological safety	photobiological safety: risk group 1 according to EN 62471:2006
Notes	Casambi control using the Casambi app with dedicated electronics

PHOTOMETRIC DATA

D – Diffuse CRI 80



ACCESSORIES

Installation Accessories



WC4010
Outer casing



WG0501
Retaining spring clip Ø48mm

Other



WL0100
Suction cup

L&L Luce&Light SRL reserves the right to change the information contained in this document at any time without prior notice being given.