
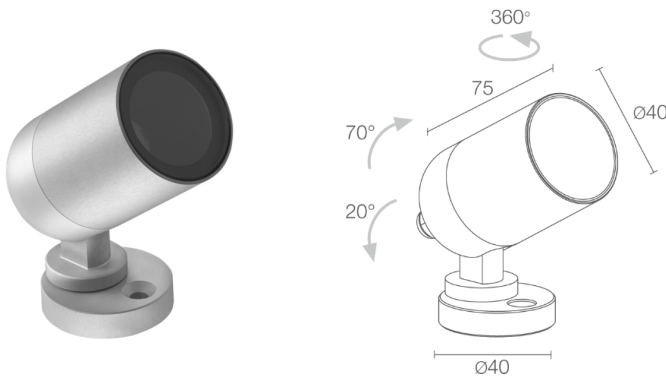


Made in Italy

 **Pivot 1.7, code: CP17010FTA**
Projectors for outdoor applications

18/07/2024 Rev. 34



DESCRIPTION

projector for outdoor applications; surface mounted (ceiling, wall, ground, spike, strap); Power consumption: 5W; Power supply: 24Vdc; Lumen output at source: 488 lm (3000K, 5W, CRI 80); Delivered lumen output: 352 lm (3000K, 34°, 5W, CRI 80); 1 high-intensity power LED, 3-step MacAdam, 50 000h L90 B10 (Ta 25°C); LED colour: 2700K; Optics: 11°: optical system consisting of a deep-set, high-efficiency TIR lens; CRI Colour Rendering Index: 80; Body material: body made of ANTICORODAL EN AW 6082 low-copper-content aluminium alloy for excellent resistance to corrosion, made entirely on a CNC lathe; Finishes: grey anodized aluminium finish created with anodizing process to improve the resistance to corrosion; RAL finish on request; Screen material: 4-mm-thick transparent extra-clear glass with vitrified serigraphy, high transmittance to ensure chromatic uniformity of light and tempered for excellent resistance to knocks and scratches; Seals: the silicone rubber gaskets guarantee maximum resistance to UV rays and unchanging mechanical characteristics over time; power supply unit not included; includes 1.5 m neoprene cable, H05RN-F 2x0,35/0,75 Ø6,3 mm; Ingress protection: IP66; Impact resistance: IK07; with screw to lock in position; Casambi control using the Casambi app with dedicated electronics; Protection systems: IPS (Intelligent Protection System) protects lighting fixtures from water infiltrations, which can occur if there are faulty junctions between the cables in outdoor or underwater applications. This innovation, patented by L&L, also guarantees electrical protection against polarity reversal, hot plugging, ESD and power surges, which can occur if there are faults in the electrical circuit; The PID (Protective Impedance Device) protects lighting fixtures from electrical phenomena external to the system, such as static electricity accumulation or electromagnetic interference coming from the mains power. Generally, these are events with a low energy content; Operating temperature: -20°C — +45°C; Glow wire test: 960°; Photobiological safety: photobiological safety: risk group 1 according to EN 62471:2006; Appliance class: class III; Weight: 400 g; Dimensions: Ø40x75 mm; Energy efficiency class: F (light source) in accordance with EU 2019/2015; Accessories: WB0310A Standard snoot - anodized grey, WB0311A Asymmetrical snoot - anodized grey, WH0310 Honeycomb louvre, WP0100 Spike for in-ground installation, WP1004 Fastener strap - 5 m; tested and approved via E.O.L. (End Of Line) test with functioning test and check of electrical power consumption

Status: Available

ELECTRICAL CHARACTERISTICS

Power consumption	5W
Power supply	24Vdc
Power supply unit	power supply unit not included

LIGHTING CHARACTERISTICS

Number and type of LED	1 high-intensity power LED
Average LED life	50 000h L90 B10 (Ta 25°C)
LED colour	2700K
CRI Colour Rendering Index	80
Binning	3-step MacAdam
Optics	11°
Lumen output at source	488 lm (3000K, 5W, CRI 80)
Delivered lumen output	352 lm (3000K, 34°, 5W, CRI 80)

MECHANICAL CHARACTERISTICS

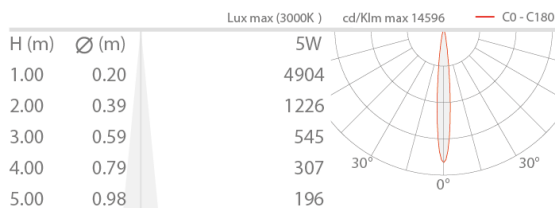
Dimensions	Ø40x75 mm
Weight	400 g
Finishes	anodized grey
Mounting	with screws and plugs
Body material	body in anticorrosive aluminium
Screen material	screen in serigraphed, transparent, tempered extra-clear glass

GENERAL CHARACTERISTICS

Ingress protection	IP66
Operating temperature	-20°C — +45°C
Impact resistance	IK07
Energy efficiency class	F (light source) in accordance with EU 2019/2015
Glow wire test	960°
Appliance class	class III
Walkover	no
Drive-over	no
Power cables	includes 1.5 m neoprene cable, H05RN-F 2x0,35/0,75 Ø6,3 mm
Protection systems	IPS (Intelligent Protection System); PID (Protective Impedance Device)
Photobiological safety	photobiological safety: risk group 1 according to EN 62471:2006
Notes	with screw to lock in position; Casambi control using the Casambi app with dedicated electronics

PHOTOMETRIC DATA

T - 11° CRI 80



ACCESSORIES

Installation Accessories



WP0100

Spike for in-ground installation

Anti-glare



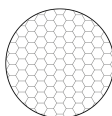
WB0310A

Standard snoot - anodized grey



WB0311A

Asymmetrical snoot - anodized grey



WH0310

Honeycomb louvre

built into the lighting fixture

The honeycomb louvre can be fitted on all fixed optics, except for sharp optics

Order together with the lighting fixture

Other



WP1004

Fastener strap - 5 m

L&L Luce&Light SRL reserves the right to change the information contained in this document at any time without prior notice being given.